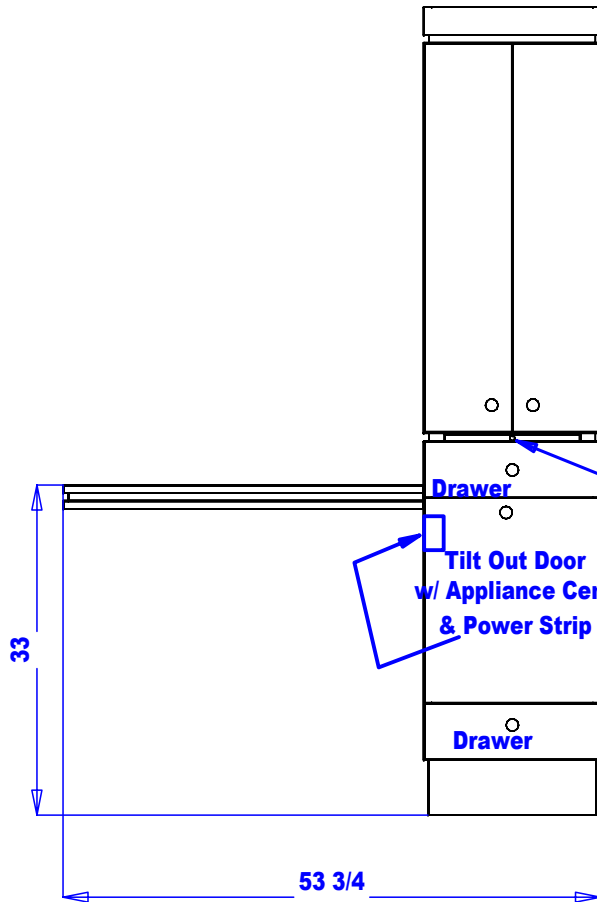
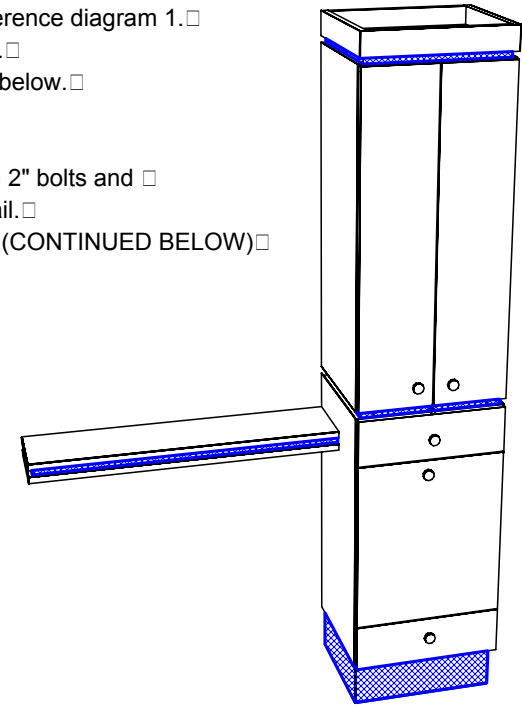


INSTALLATION INSTRUCTIONS □

1. Flip all knobs/pulls from inside cabinet to outside, reference diagram 1. □
2. Install Appliance Center see diagram 3 for details. □
3. Install the power strip ... see power strip instructions below. □
4. Attach cabinet to wall ... see diagram 9 for details. □
5. Remove top drawer. Refer to diagram 8. □
6. Set retail on top of cabinet and attach using provided 2" bolts and □ washers up through top of cabinet into bottom of retail. □

(CONTINUED BELOW) □



Breadboard

POWER STRIP □
INSTRUCTIONS □

1. Mount power strip on □ mounting screws inside □ the cabinet at the location □ shown to the left. □
2. Cord may exit through □ provided grommet hole in □ the bottom/rear of cabinet, □ or you may provide your □ own means of providing □ power.

INSTALLATION INSTRUCTIONS CONTINUED □

7. Re-install drawer removed in step 4. □
8. Mount purse shelf to wall and cabinet at 33" from □ floor to the top of the □ shelf ... see diagram 5 for details. □
9. Reference diagram 2 for help installing a mirror. □

Quantity -

Finish Schedule

Face Color -
Top Color -
Toe Color -
Pulls -
Interior -
Other (Specify) -

Installation Notes:

1. All hardware needed for assembly is included.
2. Large items are preassembled at the factory to ensure proper alignment. Items are then disassembled into manageable sections for shipping purposes and ease of reassembly.
3. Shipping cleats need to be removed before installation. These cleats are installed to prevent damage.

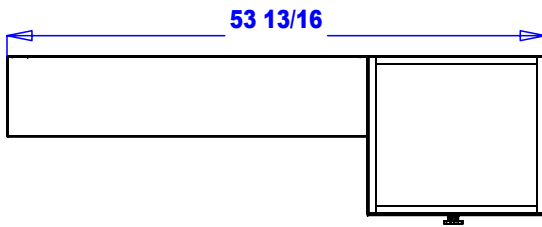
This drawing is the property of Collins Manufacturing Company and is protected under copyright law.

collins Collins Manufacturing
2000 Bowser Rd.
Cookeville TN 38506

Title: **QSEp Eiffel Tower Station with 36" Ledge**

Size: # **406-54** Drawn By:

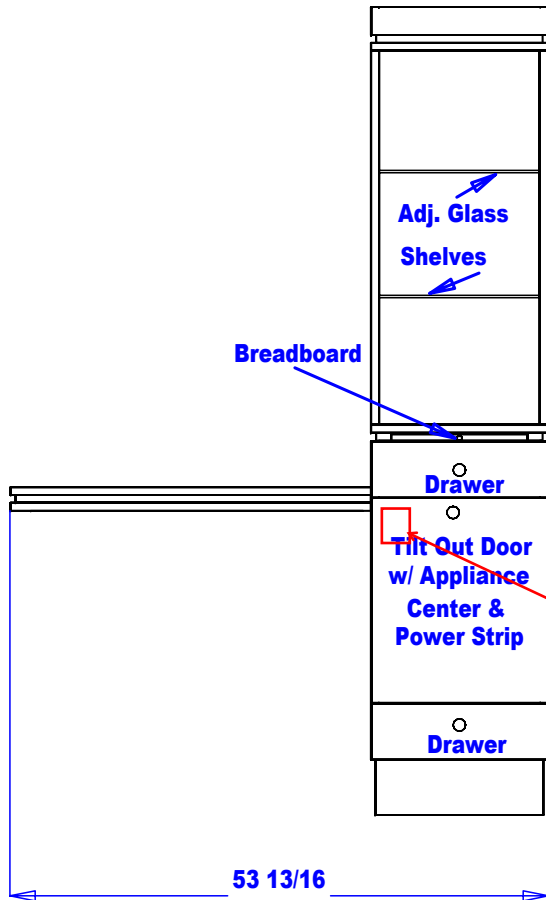
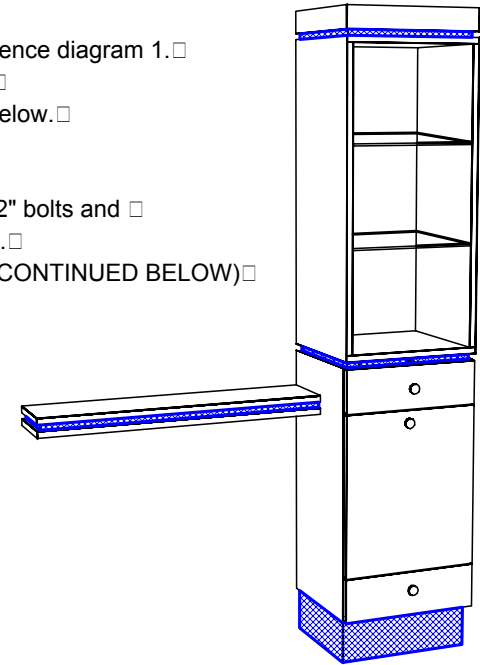
Date: Sheet #: **1**



INSTALLATION INSTRUCTIONS □

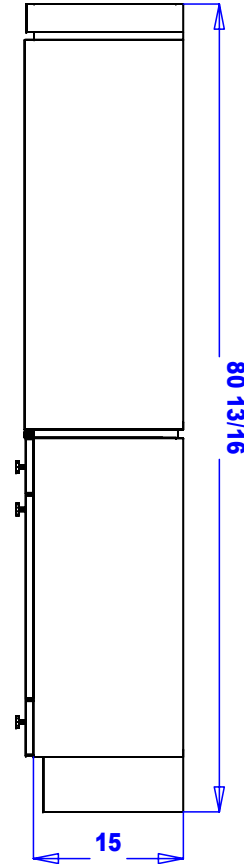
1. Flip all knobs/pulls from inside cabinet to outside, reference diagram 1. □
2. Install Appliance Center see diagram 3 for details. □
3. Install the power strip ... see power strip instructions below. □
4. Attach cabinet to wall ... see diagram 9 for details. □
5. Remove top drawer. Refer to diagram 8. □
6. Set retail on top of cabinet and attach using provided 2" bolts and □ washers up through top of cabinet into bottom of retail. □

(CONTINUED BELOW) □



POWER STRIP □
INSTRUCTIONS □

1. Mount power strip on □ mounting screws inside □ the cabinet at the □ location shown to the left.
2. Cord may exit through □ provided grommet hole in the bottom/rear of □ cabinet, or you may □ provide your own means □ of providing power.



INSTALLATION INSTRUCTIONS CONTINUED □

7. Re-install drawer removed in step 4. □
8. Mount purse shelf to wall and cabinet at 33" □ from floor to the top of the shelf ... see diagram 5 □ for details. □
9. Reference diagram 2 for help installing a mirror.

This drawing is the property of Collins Manufacturing Company and is protected under copyright law.

Quantity -

Finish Schedule

- Face Color -
- Top Color -
- Toe Color -
- Pulls -
- Interior -
- Other (Specify) -

Installation Notes:

1. All hardware needed for assembly is included.
2. Large items are preassembled at the factory to ensure proper alignment. Items are then disassembled into manageable sections for shipping purposes and ease of reassembly.
3. Shipping cleats need to be removed before installation. These cleats are installed to prevent damage.

collins Collins Manufacturing
809 E 20th Street
Cookeville TN 38501

Title: QSEp Hancock Tower Station w-36" Ledge		
Size:	#: 407-54	Drawn By:
Date: 11/14/04	Sheet #: 1	