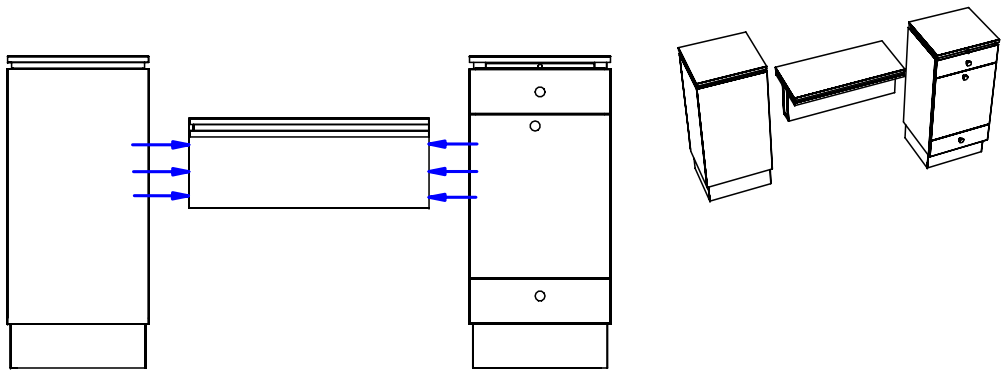
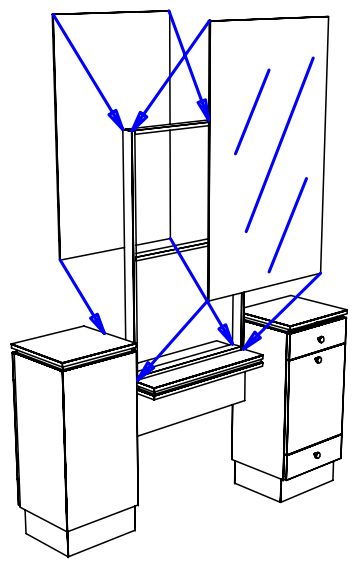
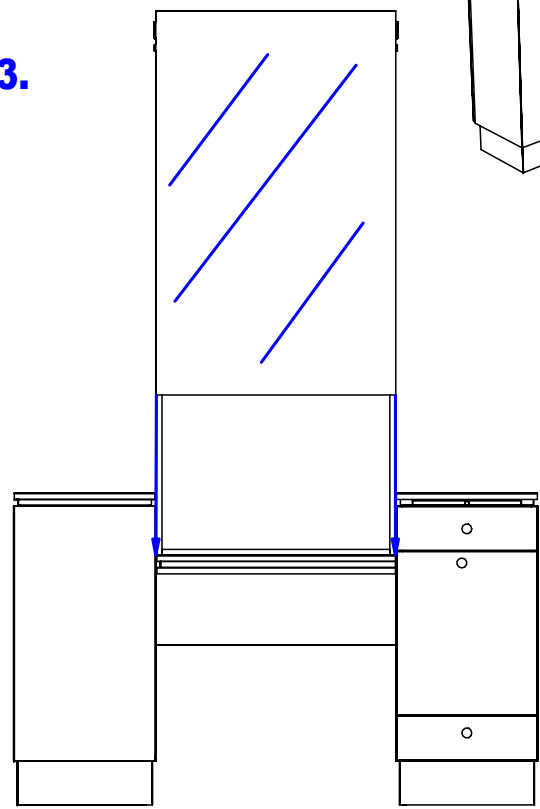


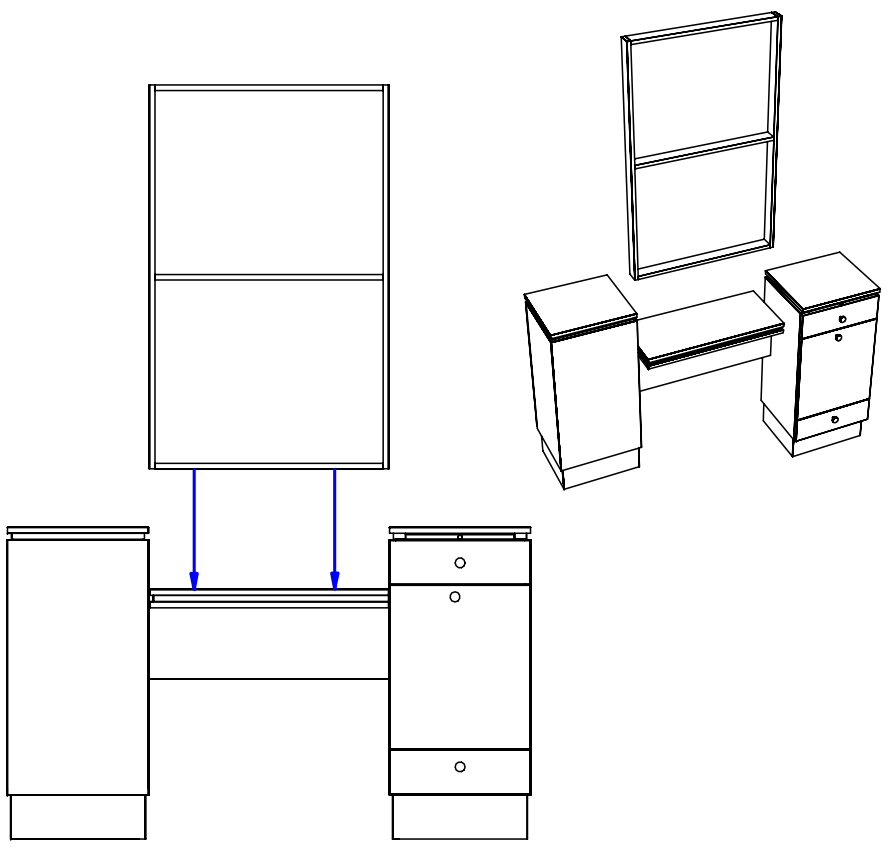
1.



3.



2.



**Quantity -**

**Finish Schedule**

Face Color -  
 Top Color -  
 Toe Color -  
 Pulls -  
 Interior -  
 Other (Specify) -

**Installation Notes:**

1. All hardware needed for assembly is included.
2. Large items are preassembled at the factory to ensure proper alignment. Items are then disassembled into manageable sections for shipping purposes and ease of reassembly.
3. Shipping cleats need to be removed before installation. These cleats are installed to prevent damage.



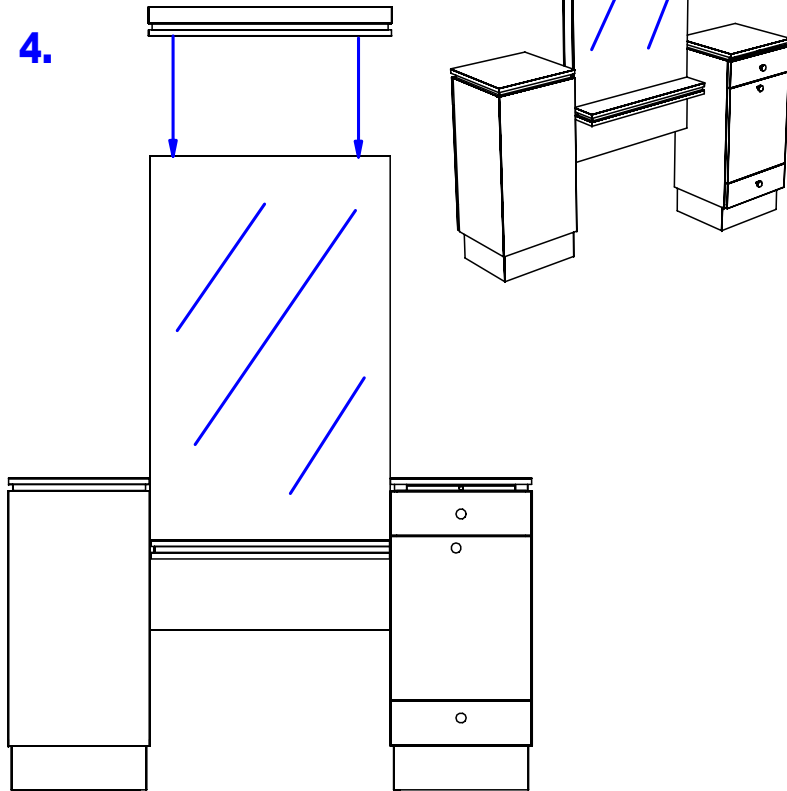
**Collins Manufacturing**  
 809 E 20th Street  
 Cookeville TN 38501

Title: **QSEp Croix Styling Island**

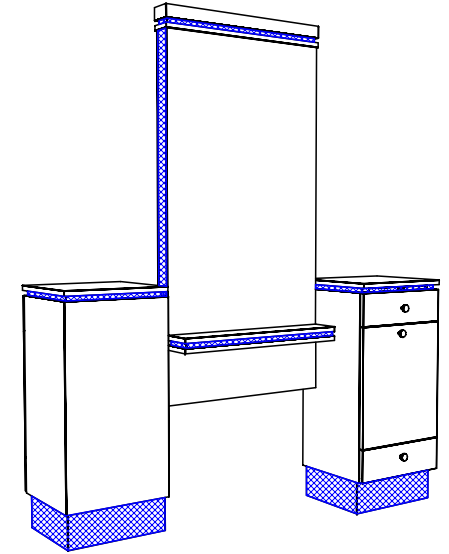
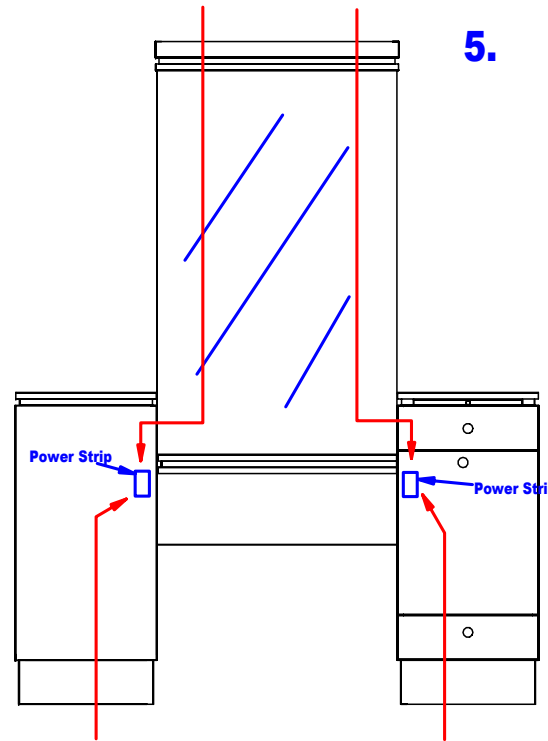
Size: # **410-66** Drawn By:

Date: **02/24/04** Sheet #: **6**

4.



5.



**Power Strips are provided in each of the cabinets. You can bring power from the floor into the cabinets or from the ceiling in between the mirrors. Also, cabinet are assembled in the order pictured using provided bolts, holes, etc. The cabinets are preassembled and labeled**

**Quantity -**

**Finish Schedule**

Face Color -  
 Top Color -  
 Toe Color -  
 Pulls -  
 Interior -  
 Other (Specify) -

**Installation Notes:**

1. All hardware needed for assembly is included.
2. Large items are preassembled at the factory to ensure proper alignment. Items are then disassembled into manageable sections for shipping purposes and ease of reassembly.
3. Shipping cleats need to be removed before installation. These cleats are installed to prevent damage.

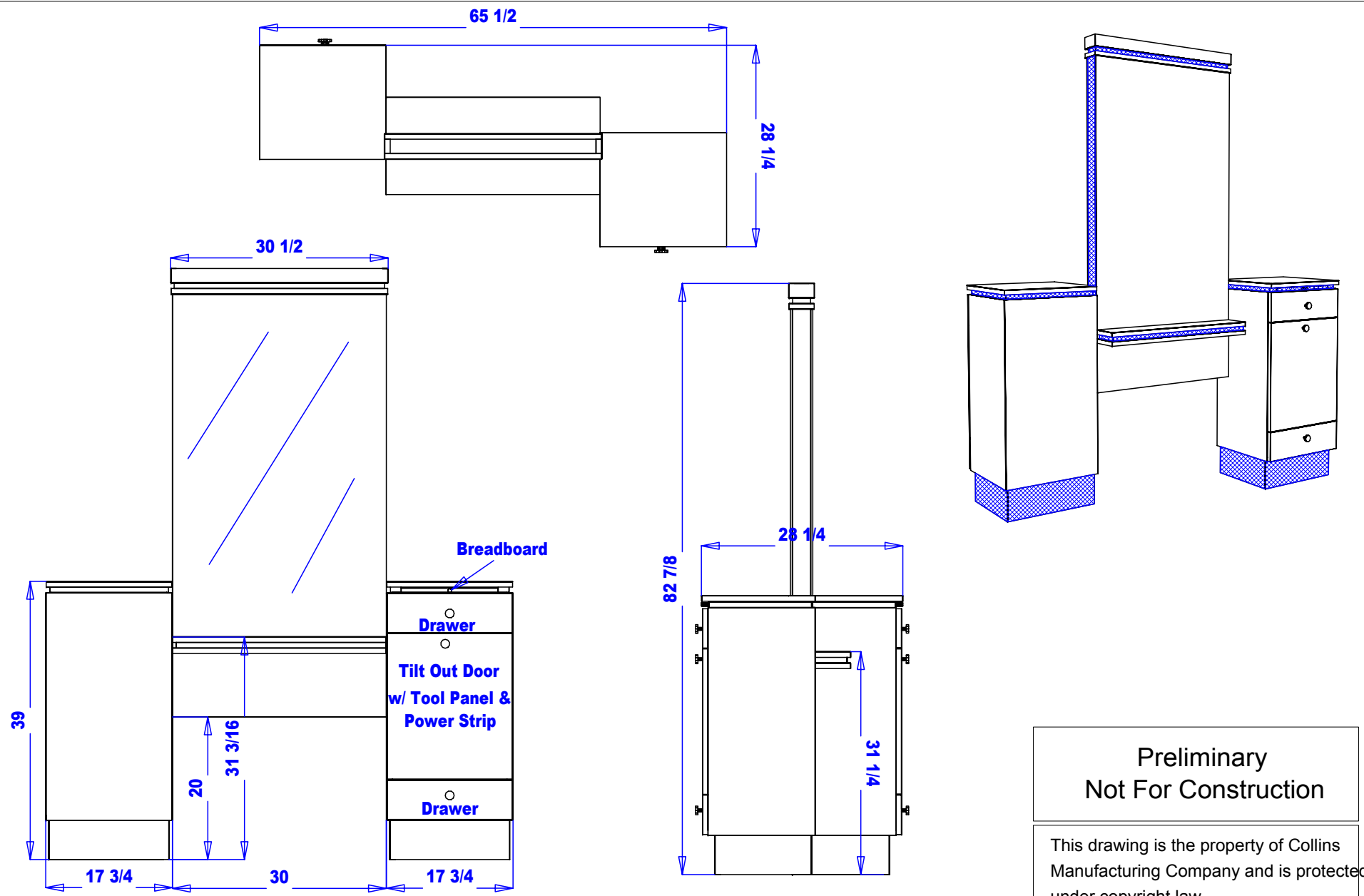


**Collins Manufacturing**  
 809 E 20th Street  
 Cookeville TN 38501

Title: **QSEp Croix Styling Island**

Size: # **410-66** Drawn By:

Date: **02/24/04** Sheet #: **7**



Preliminary  
Not For Construction

This drawing is the property of Collins Manufacturing Company and is protected under copyright law.

**Quantity -**

**Finish Schedule**

Face Color -  
Top Color -  
Toe Color -  
Pulls -  
Interior -  
Other (Specify) -

This drawing represents Collins Manufacturing Company's understanding of the desired item as was previously priced & ordered. Your signature indicates you have reviewed the drawing; and your approval will authorize Collins to initiate the acquisition of materials & subsequent production. More than modest changes may affect the price and/or manufacturing lead time.

- Approved as drawn.
- Approved w/ changes noted.
- Not approved - re-submit.

Signature \_\_\_\_\_  
Company \_\_\_\_\_ Date \_\_\_\_\_

**collins** Collins Manufacturing  
809 E 20th Street  
Cookeville TN 38501

Title: **QSEp Croix Styling Island**

Size: \_\_\_\_\_ # **410-66** Drawn By: \_\_\_\_\_

Date: **02/15/04** Sheet #: **5**