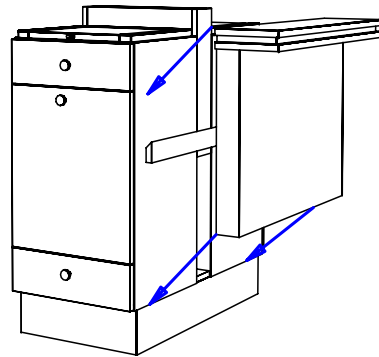
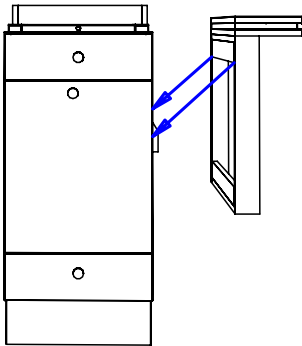
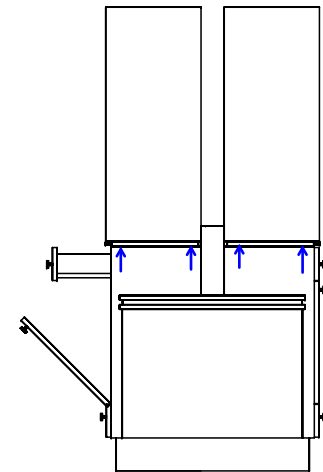
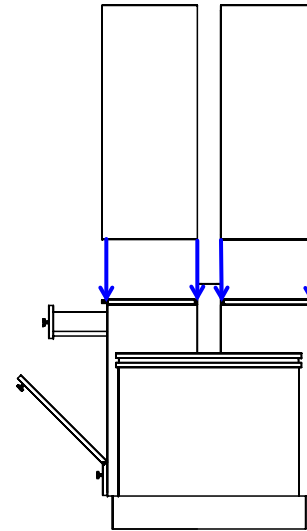
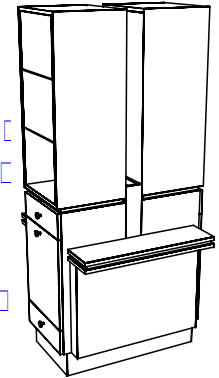


1. The base cabinet should have come assembled as above.
2. Set the base cabinet in desired final location.
3. Hang both shelves from french cleat installed on either side of base cabinet. Be sure to center the shelves from left to right. (pictured below)



4. Remove top drawer on both sides by fully extending the drawer, and releasing from drawer track by pressing tabs on either side of drawer box.
5. Set upper cabinets on top of lower cabinets, flush on left and right and butting against back filler panel. (bottom left)
6. Insert provided bolts up from base cabinet through pre-drilled holes into threaded inserts in the bottom of the upper cabinets. (bottom right)
7. Re-insert drawer boxes to base cabinets.



This drawing is the property of Collins Manufacturing Company and is protected under copyright law.

Preliminary
Not For Construction

Quantity -

Finish Schedule

Face Color -
Top Color -
Toe Color -
Pulls -
Interior -
Other (Specify) -

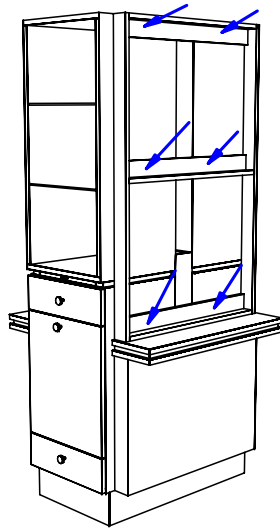
Installation Notes:

1. All hardware needed for assembly is included.
2. Large items are preassembled at the factory to ensure proper alignment. Items are then disassembled into manageable sections for shipping purposes and ease of reassembly.
3. Shipping cleats need to be removed before installation. These cleats are installed to prevent damage.

collins		Collins Manufacturing 809 E 20th Street Cookeville TN 38501	
Title: QSEp Lucia Styling Island			
Size:	#: 412-36	Drawn By:	
Date: 04/16/04	Sheet #: 8		

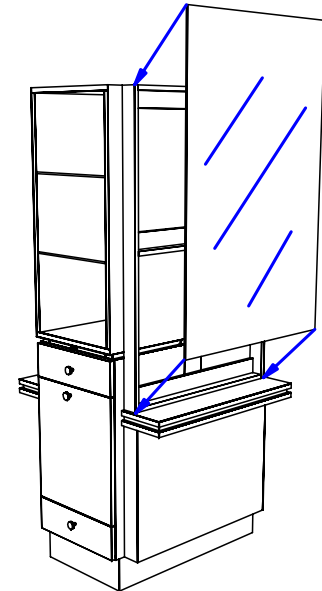
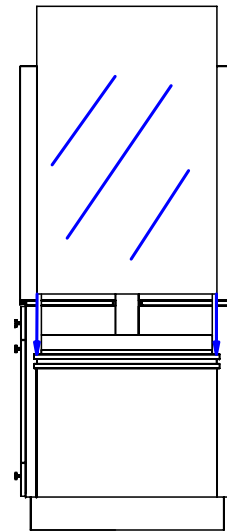
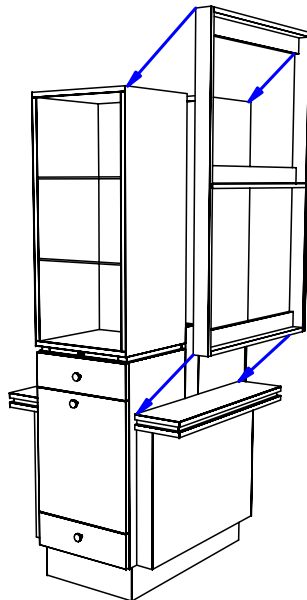
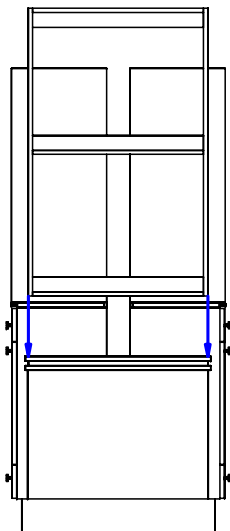
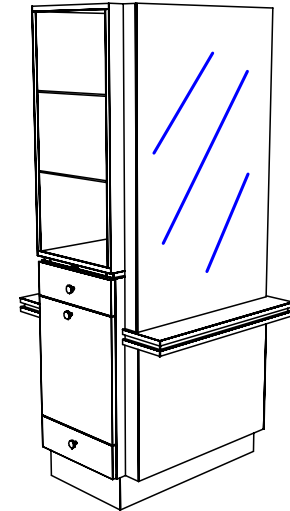
8. Set mirror frames on top of □
each shelf on either side and □
center it left to right. (as below) □

9. Using provided 1 1/4" wood □
screws and beauty washers, □
secure frame through screw □
cleats (as seen to the right) into □
cabinets.



10. Using provided mirror "J" □
clips and 5/8" flat head screws, □
mount mirrors to both sides of □
cabinet on mirror frames. □

NOTE: It is very important to □
complete this step before □
installing the top soffit!



This drawing is the property of Collins Manufacturing Company and is protected under copyright law.

Preliminary
Not For Construction

Quantity -

Finish Schedule

Face Color -
Top Color -
Toe Color -
Pulls -
Interior -
Other (Specify) -

Installation Notes:

1. All hardware needed for assembly is included.
2. Large items are preassembled at the factory to ensure proper alignment. Items are then disassembled into manageable sections for shipping purposes and ease of reassembly.
3. Shipping cleats need to be removed before installation. These cleats are installed to prevent damage.

collins

Collins Manufacturing
809 E 20th Street
Cookeville TN 38501

Title: **QSEp Lucia Styling Island**

Size: # **412-36**

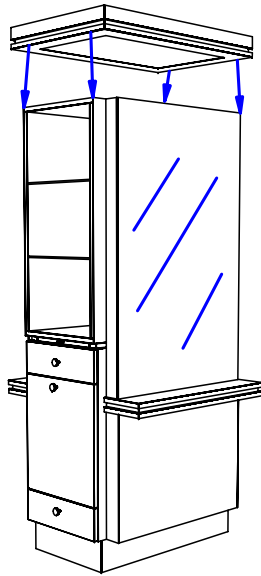
Drawn By:

Date: **04/16/04**

Sheet #: **9**

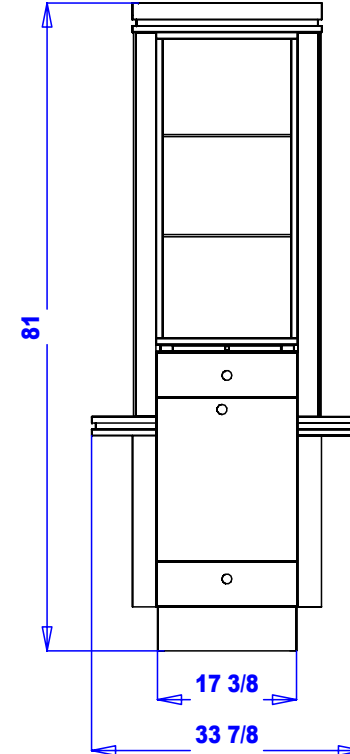
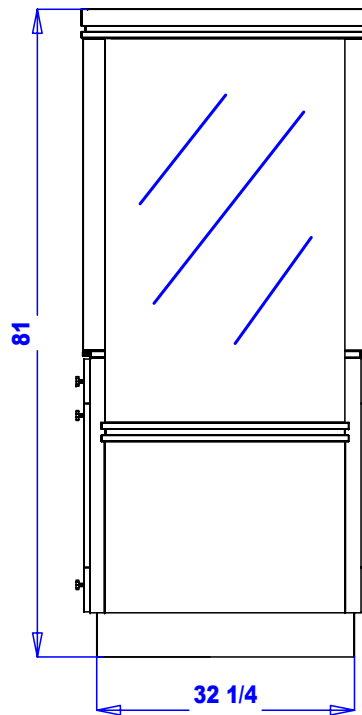
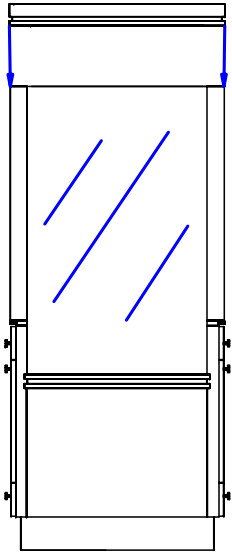
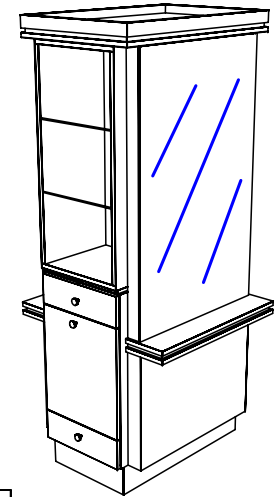
11. Set soffit on top of assembled unit, centering front-to-back as well as left-to-right.

12. Secure in place using provided fasteners, being sure not to drive the fasteners into the finished insides of the upper cabinets.



13. Set adjustable glass shelf pins in desired pin hole locations.

14. Install adjustable glass shelves by setting them on the pins.



Preliminary
Not For Construction

This drawing is the property of Collins Manufacturing Company and is protected under copyright law.

Quantity -

Finish Schedule

Face Color -
Top Color -
Toe Color -
Pulls -
Interior -
Other (Specify) -

Installation Notes:

1. All hardware needed for assembly is included.
2. Large items are preassembled at the factory to ensure proper alignment. Items are then disassembled into manageable sections for shipping purposes and ease of reassembly.
3. Shipping cleats need to be removed before installation. These cleats are installed to prevent damage.



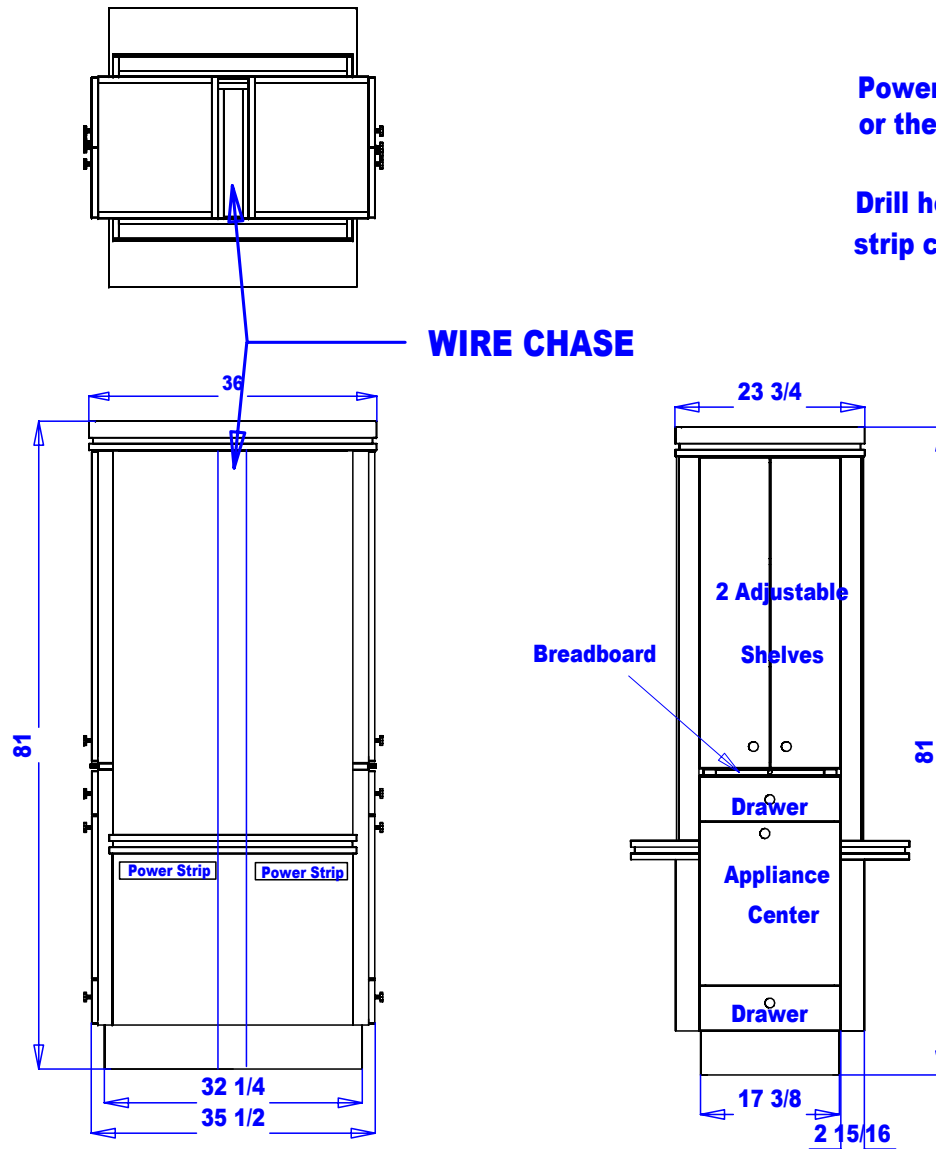
Collins Manufacturing
809 E 20th Street
Cookeville TN 38501

Title: **QSEp Lucia Styling Island**

Size: # **412-36** Drawn By:

Date: **04/16/04** Sheet #: **10**

Electrical Specs for 411-36 & 412-36



Power could come from the ceiling or the floor into the chase.

Drill hole in back of lower cabinet for power strip cord to plug into power outlet in chase.

WIRE CHASE

Breadboard

2 Adjustable Shelves

Drawer

Appliance Center

Drawer

Power Strip

Power Strip

Quantity -

Finish Schedule

Face Color -
Top Color -
Toe Color -
Pulls -
Interior -
Other (Specify) -

Installation Notes:

1. All hardware needed for assembly is included.
2. Large items are preassembled at the factory to ensure proper alignment. Items are then disassembled into manageable sections for shipping purposes and ease of reassembly.
3. Shipping cleats need to be removed before installation. These cleats are installed to prevent damage.

Preliminary
Not For Construction

This drawing is the property of Collins Manufacturing Company and is protected under copyright law.

collins Collins Manufacturing
809 E 20th Street
Cookeville TN 38501

Title: **QSEp Lucia Styling Island**

Size: # **412-36** Drawn By:

Date: **04/16/04** Sheet #: **11**