


This drawing is the property of Collins Manufacturing Company and is protected under copyright law.

**Quantity -**

<b>Finish Schedule - 436-42-1</b>
Face Color -
Top Color -
Toe Color - (Specify)
Pulls - Inset Pull
Interior - White
Other (Specify) -

**Installation Notes:**

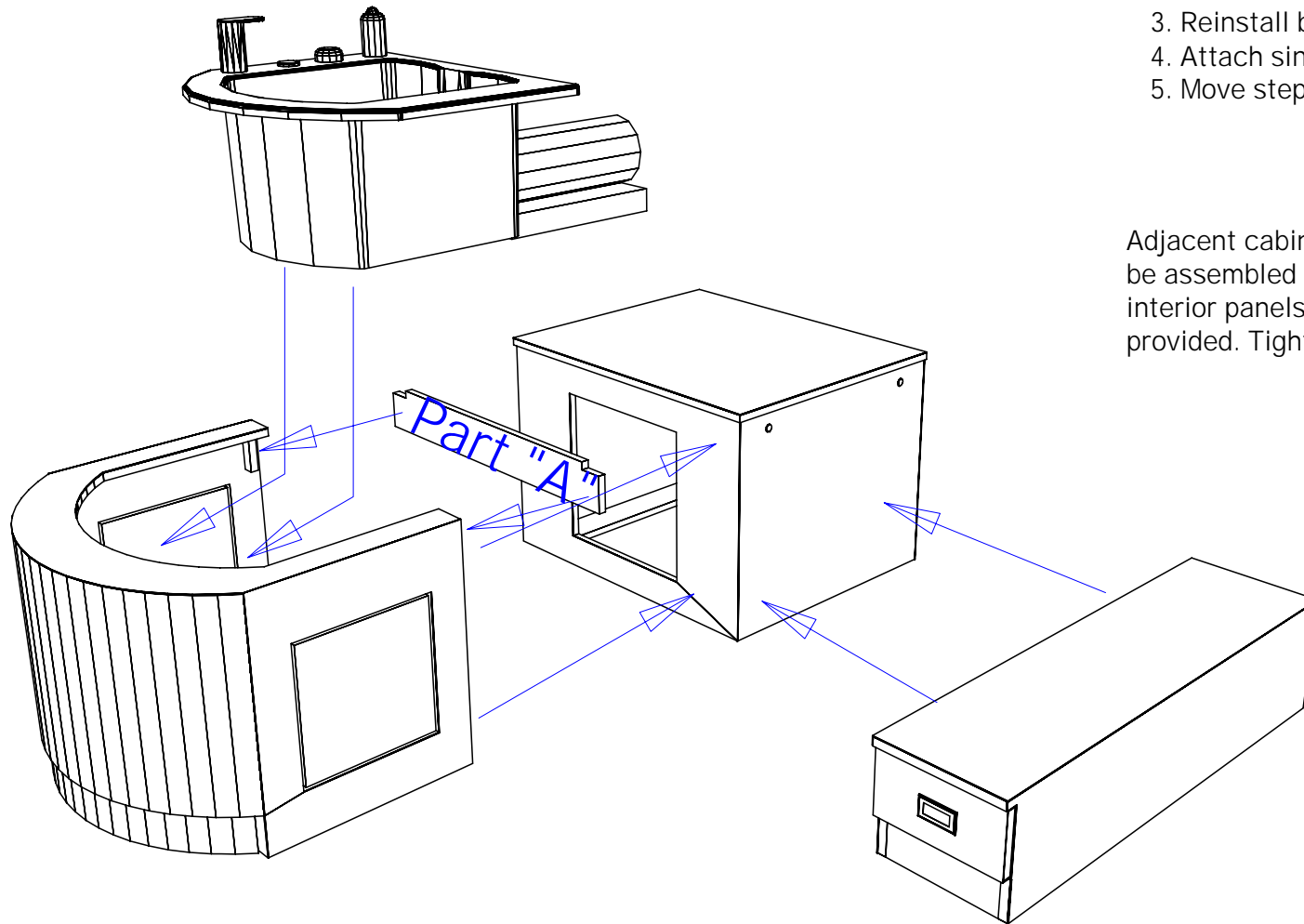
1. All hardware needed for assembly is included.
2. Large items are preassembled at the factory to ensure proper alignment. Items are then disassembled into manageable sections for shipping purposes and ease of reassembly.
3. Shipping cleats need to be removed before installation. These cleats are installed to prevent damage.

 Collins Manufacturing 2000 Bowser Rd. Cookeville TN 38506		
Title: 436-42-1 QSEp Pedicure system II		
Size:	#:	Drawn By:
Date: 06/06/06	Sheet #: 6	

Steps for installation

1. Remove back brace "Part A"
2. Insert Sink into sink cabinet.
3. Reinstall back brace "Part A".
4. Attach sink cabinet to seat cabinet.
5. Move step into side of pedicure.


Adjacent cabinets and components should be assembled by fastening through the interior panels with the screws or bolts provided. Tighten securely.



**Quantity -**  
**436-42-1 QSEp Pedicure system II**

<b>Finish Schedule - 436-42-1</b>
Face Color -
Top Color -
Toe Color -
Pulls - Inset Pull
Interior - White
Other (Specify) -

<b>General Notes:</b>
1. All counter tops are to be made removable wherever possible.
2. Items must be broken into manageable sections For Shipping. Mark For Ease Of Reassembly.
3. Install Shipping Cleats Wherever Possible To Prevent Shipping Damage.
4. Purchased items Must Be Trial Fit Before Shipping.

 Collins Manufacturing 2000 Bowser Rd. Cookeville TN 38506		
Title: 436-42-1 QSEp Pedicure system II		
Size:	#:	Drawn By:
Date:	Sheet #: 5	

**IMPORTANT! Read all instructions carefully before beginning installation or drilling of the sink.**

**ATTENTION INSTALLER!** This whirlpool sink has been water tested at the MTI factory and found to be fully operational and leak free prior to shipping. Freight handling and job site exposure may have deteriorated the sink's condition. **THIS UNIT MUST BE TESTED FOR OPERATION AND LEAKS PRIOR TO ENCLOSURE. FAILURE TO DO SO WILL VOID WARRANTY. PUMP ACCESS IS REQUIRED FOR FUTURE SERVICE.**

## PREPARATION

The MTI foot spa must be supported along the full length of the spa bottom with bedding compound such as Quikcrete sand mix. Failure to properly bed the foot spa will void the warranty.

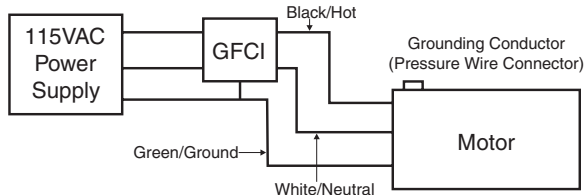
## INSTALLATION

1. Place the sink template on the countertop and secure with a piece of tape.
2. With a pencil, trace a line around the outside edge of the template.
3. Cut out the countertop on this line.
4. Caulk under the lip of the sink and place it into the hole cut-out (no clamps or screws required).
5. Clean the excess caulk off the countertop and let dry for 24 hours.

Before installing your new Jentle Ped® foot spa in the countertop opening, you must drill any additional faucet or accessory holes. Proper care must be taken in drilling these holes to avoid damaging your new sink. Use a proper sized hole saw to allow a hole large enough for your faucet or accessory.

1. Locate and mark the underside where you wish to drill additional holes.
2. Drill from the bottom first, taking care NOT to drill completely through the top surface. Stop drilling when the pilot bit pierces the top surface of the sink. Do not apply excessive pressure. Allow the drill to do the work.
3. Drilling from the top, place the pilot bit in the hole you just made while drilling from the back. Taking care to drill straight down, drill completely through the sink.

**NOTE:** To ensure proper ventilation for your Jentle Ped pump, a minimum 5" x 7" grate vent installed in cabinet is required. Failure to do so will void warranty.



**ELECTRICAL REQUIREMENTS** Every Jentle Ped foot spa is supplied with a 1 bhp, 110 Volt pump that draws 5.5 amps. It comes with a 29" grounded plug to be plugged into a standard grounded receptacle. You will need a 15 amp line with a GFCI outlet. The pump is activated by a deck-mounted on/off control.

**OPERATING INSTRUCTIONS** The Jentle Ped foot spa is installed with a deck-mounted on/off control, eliminating the need for an external switch, although one may be provided by the installer. Water pressure in the Jentle Ped foot spa may be adjusted from a very high agitation to a low, swirling action. Turn the deck-mounted air volume control knob counter-clockwise to decrease the pressure and clockwise to increase.

**PLEASE NOTE:** Activating the pump with no water in the spa could result in damage to the pump and internal seals and could void the warranty. ALSO, MTI does not recommend installing the Jentle Ped foot spa in an undermount application. However, if you choose to do so, please consult with the manufacturer/dealer of the countertop.

## RECOMMENDED USES

The Jentle Ped foot spa is recommended for soothing footbaths and hydrotherapy foot massage. Use the raised bar in the sink bottom to exercise the arch and plantar areas of the foot. **CAUTION:** Be careful when using products containing acetone, including nail polish and nail polish remover, in or near the Jentle Ped. Acetone may damage the Jentle Ped's acrylic surface and void the warranty.

**Remember, if you do damage the surface of the sink, minor cuts or scratches usually can be buffed or polished out of the finish.**

For more complete installation instructions, visit [www.mtiwhirlpools.com](http://www.mtiwhirlpools.com).

The whirlpool system must be cleaned periodically:

For commercial use – after each customer and again at the end of the day.

For residential use – at least once every 30 days. Do not exceed 90 days between cleanings.

*If your foot spa is not equipped with the Fill-Flush® system, skip to next section.*

## **FILL-FLUSH CLEANING SYSTEM OPERATING INSTRUCTIONS**

1. After completely draining the foot spa, close all jets by simply pushing in the jet nozzles.
2. Open detergent filler cap and pour in ONE of the following: 2 oz. MTI Fresh Wave cleaning solution OR 1 cup white vinegar OR several drops of a low-sudsing detergent mixed with one cup warm water.
3. Turn on water. Do not turn on pump.
4. This allows water to mix with the cleaning solution, circulating through the air line, water line and pump.
5. Residue will be flushed out the suction intake and down the drain. NOTE: It is normal for some water to exit around the jets and through the jet nozzles.
6. Let the water run for 2-3 minutes. Open the jets and allow fresh water to rinse through the jets for 30 seconds. Turn off the water and allow the remaining water to flow out of the jets.

## **CLEANING INSTRUCTIONS FOR FOOT SPAS NOT EQUIPPED WITH FILL-FLUSH**

1. Fill foot spa with warm water 2" above highest jet and add ONE of the following: 2 oz. MTI Fresh Wave cleaning solution OR 1 cup white vinegar OR several drops of a low-sudsing detergent mixed with one cup warm water.
2. Turn the pump on for 5 minutes and let stand an additional 15 minutes.
3. Drain the tub and refill with cold, fresh water.
4. Run the pump for 2-3 minutes, then drain.

## **CLEANING INSTRUCTIONS FOR THE ACRYLIC SHELL**

The Lucite® cast acrylic surface of this foot spa is among the glossiest, most durable surfaces available. Its hard, non-porous surface prevents dirt from accumulating and resists stains better than other materials. With normal use, Lucite cast acrylic will retain its beauty with only a minimal amount of care. To maintain the high gloss, elegant look of the Lucite cast acrylic surface, follow these simple steps:

1. Use common household, **non-abrasive** cleaners for most cleaning jobs (examples include: Lysol Basin Tub & Tile cleaner, Glass Plus, Greased Lightning, Mr. Clean, Top Job or a mild dishwashing detergent such as Ivory Liquid). Follow manufacturer's directions and precautions. Rinse well and dry with a soft, clean cloth.
2. Never use abrasive cleaners.
3. Do not allow your Lucite cast acrylic to come into direct contact with nail polish, nail polish remover, Wintergreen oil, dry cleaning solution, lacquer thinners, gasoline, pine oil, etc.
4. Remove dust and dirt with a soft, damp cloth.
5. Avoid using razor blades or other sharp objects that may scratch the surface. Small scratches can be removed by applying a thin coat of automotive paste wax and buffing lightly with a clean cloth. For deeper scratches, sand the surface lightly with a 400 grit "wet or dry" paper and buff with a fine grit buffing compound.
6. MTI strongly recommends a professional acrylic repair company for deep scratches or chips.