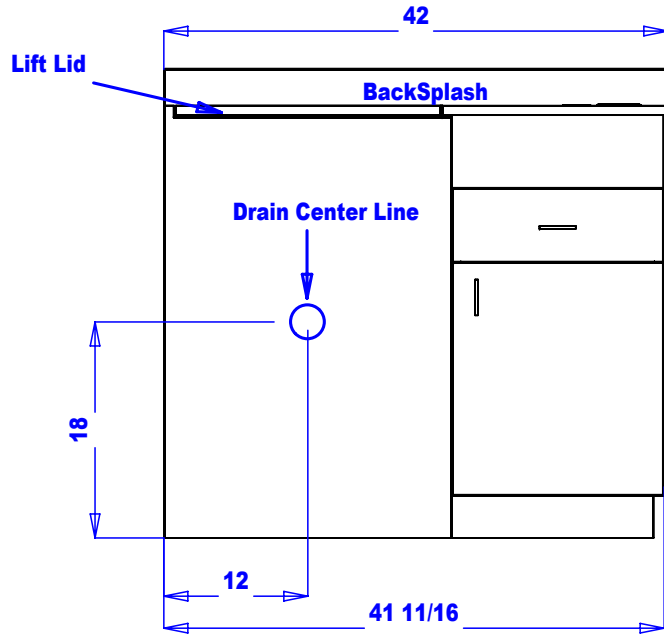
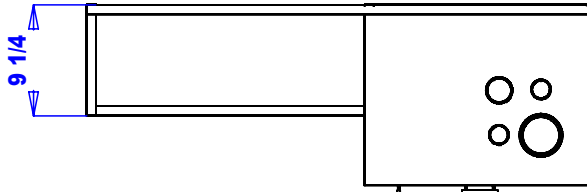
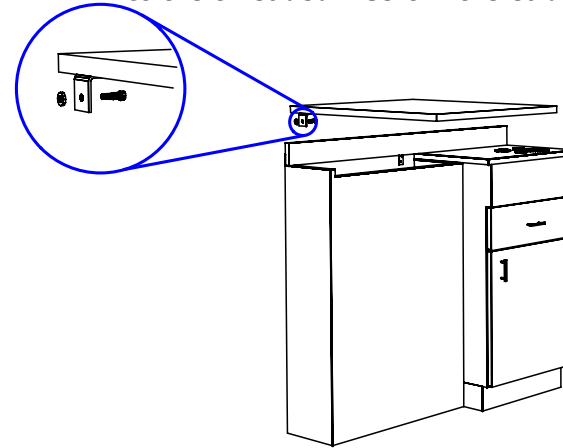


Plumbing



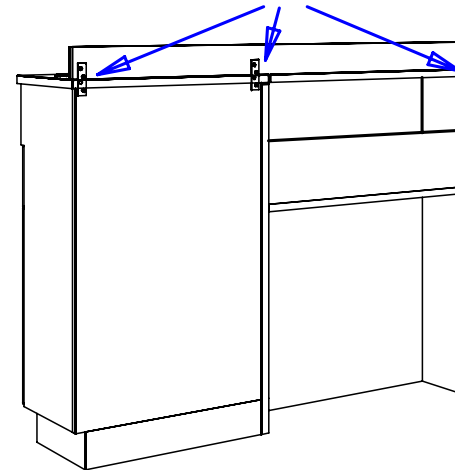
Lift Lid Installation

Lift lid should be attached to the cabinet by inserting the shoulder bolt through the metal bracket, plastic spacer, and then into the threaded insert in the cabinet side.



Back Splash Installation

Attach Back Splash flush on each end of cabinet by inserting provided screws through mending plate into back of cabinet.



Finish Schedule - 500-42

Face Color -
Top Color -
Toe Color -
Pulls -
Interior -
Other (Specify) -

Installation Notes:

1. All hardware needed for assembly is included.
2. Large items are preassembled at the factory to ensure proper alignment. Items are then disassembled into manageable sections for shipping purposes and ease of reassembly.
3. Shipping cleats need to be removed before installation. These cleats are installed to prevent damage.

collins

Collins Manufacturing
809 E 20th Street
Cookeville TN 38501

Title: **QSE Wet Booth Unit**

Size: # 70780A

Drawn By:

Date:

Sheet #: **1**