

Unit comes fully assembled

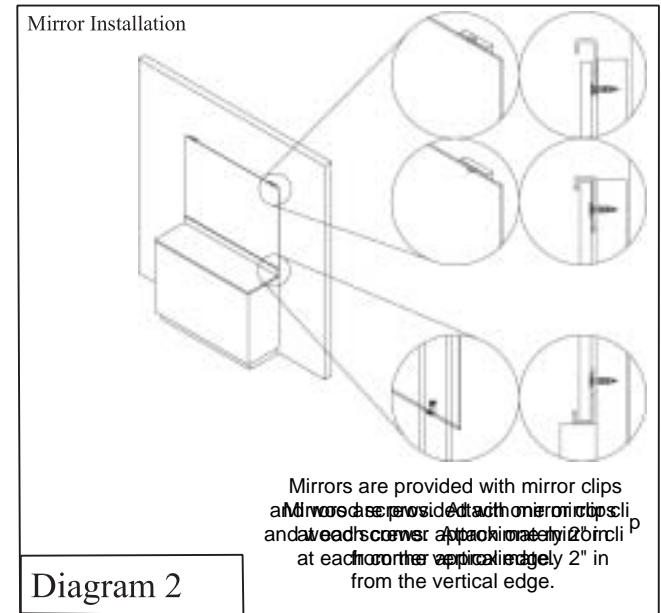


Diagram 2

Finish Schedule

Face Color -
 Top Color -
 Toe Color -
 Pulls -
 Interior -
 Other (Specify) -

General Notes:

1. All counter tops are to be made removable wherever possible.
2. Items must be broken into manageable sections For Shipping. Mark For Ease Of Reassembly.
3. Install Shipping Cleats Wherever Possible To Prevent Shipping Damage.
4. Purchased items Must Be Trial Fit Before Shipping.

collins

Collins Manufacturing
 809 E 20th Street
 Cookeville TN 38501

Title: **QSE Styling Station**

#: # **504-42** Drawn By:

Date: Sheet #: **1**