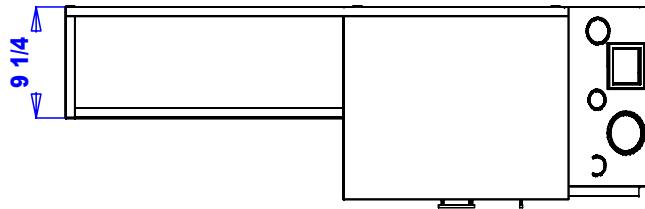
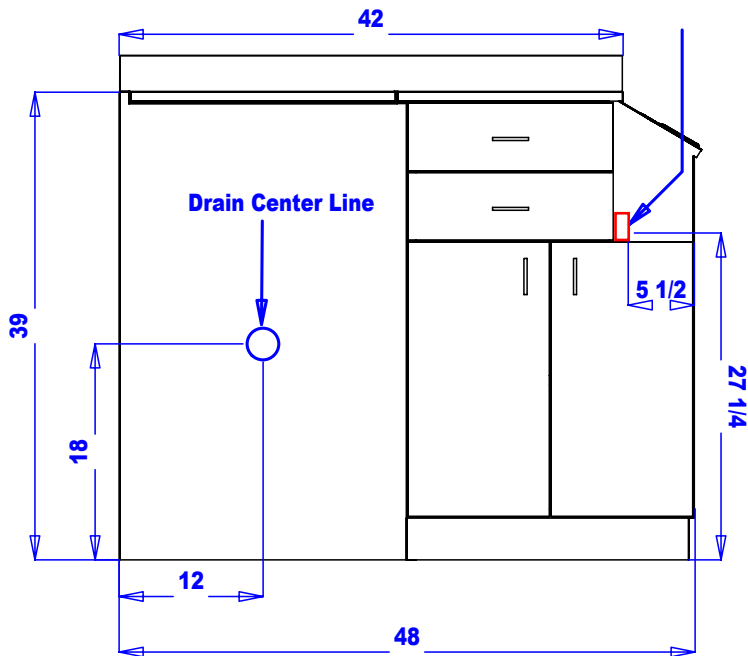


## Plumbing/Electric<sup>with</sup>

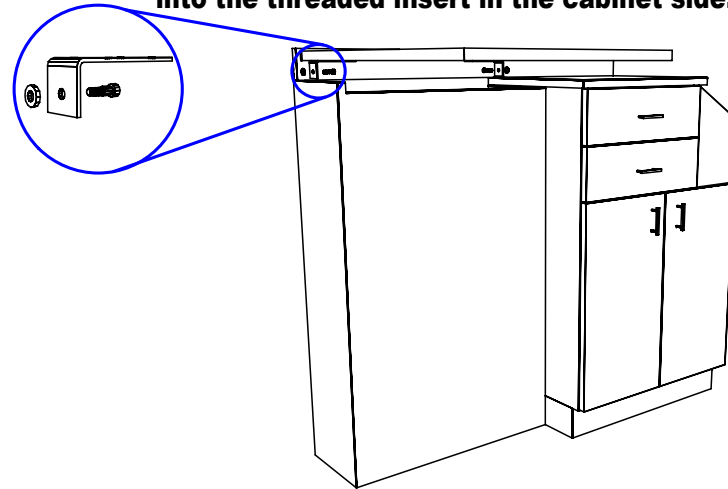


**Power Stip** Located here,  
with access holes to cabinet & floor



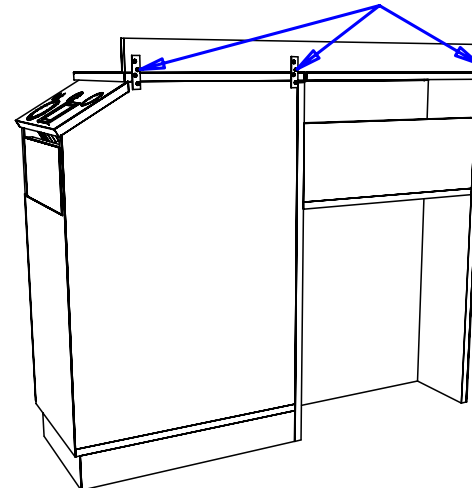
## Lift Lid Installation

Lift lid should be attached to the cabinet by inserting the shoulder bolt through the metal bracket, plastic spacer, and then into the threaded insert in the cabinet side.



## BackSplash Installation

Attach BackSplash flush on each end of cabinet by inserting provided screws through mending plate into back of cabinet.



## Finish Schedule

Face Color -  
Top Color -  
Toe Color -  
Pulls -  
Interior -  
Other (Specify) -

## Installation Notes:

1. All hardware needed for assembly is included.
2. Large items are preassembled at the factory to ensure proper alignment. Items are then disassembled into manageable sections for shipping purposes and ease of reassembly.
3. Shipping cleats need to be removed before installation. These cleats are installed to prevent damage.

**collins**

Collins Manufacturing  
809 E 20th Street  
Cookeville TN 38501

Title: **QSE Deluxe 39Hi Wet Station**

Size: # **515-48**

Drawn By:

Date: **04/02/03**

Sheet #: **1**