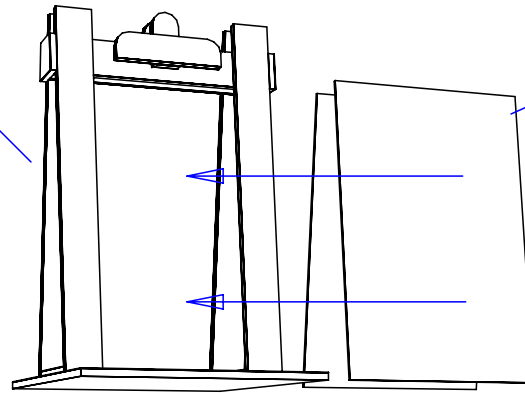
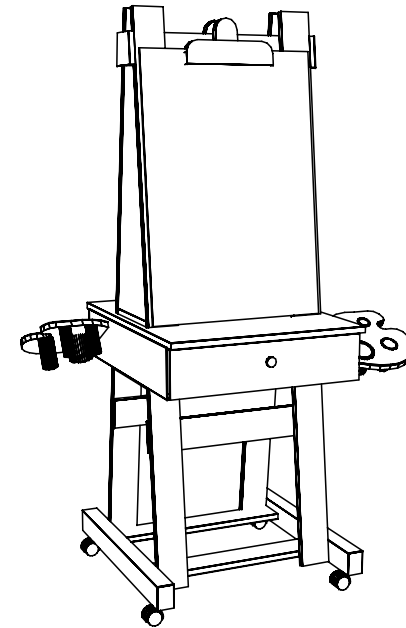
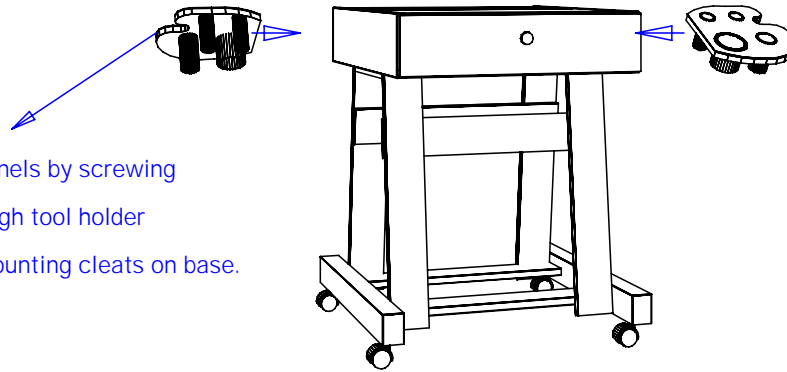


STEP 1. Attach upper portion of easel to base with (4) 1 1/2" wood screws and beauty washers by screwing up through cleats on base into pre-drilled holes in the upper portion.



STEP 3. Mount mirrors by installing the supplied clips with wood screws to area where bottom of mirror will be placed. See diagram 2. Then slide mirrors from side onto clips at bottom and under the clamp at top.

STEP 2. Attach tool holder panels by screwing (2) 1 1/4 connector bolts through tool holder into threaded inserts in the mounting cleats on base.



Quantity - Qty

Finish Schedule - 794-29-1

Face Color - Face Color Laminate A
 Top Color - Drawer Face & Tool Panel Top Color Laminate B
 Toe Color - (Specify)
 Pulls - Chrome Knob
 Interior - Top Color
 Other (Specify) -

Installation Notes:

1. All hardware needed for assembly is included.
2. Large items are preassembled at the factory to ensure proper alignment. Items are then disassembled into manageable sections for shipping purposes and ease of reassembly.
3. Shipping cleats need to be removed before installation. These cleats are installed to prevent damage.

Collins Collins Manufacturing
 2000 Bowser Rd.
 Cookeville TN 38506

Title: Customer Name		
Size:	#: SoNumber	Drawn By: Engineer
Date: 09/14/06	Sheet #: 8	