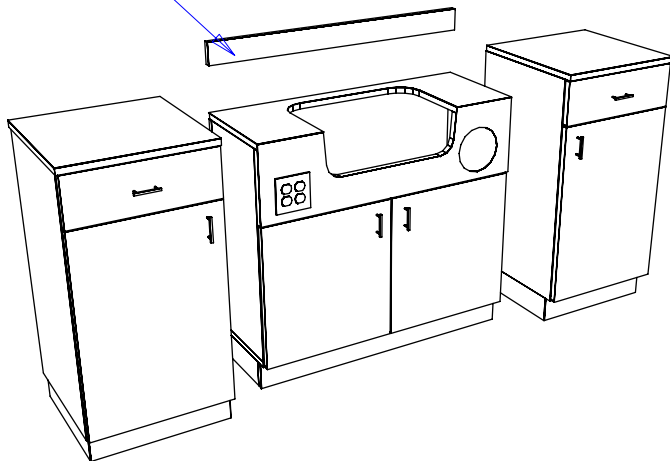


Attach splash to wall w/ construction adhesive.



### INSTALLATION:

1. Adjacent cabinets and components should be fastened together w/ the provided 1 1/4" beauty bolts. Tighten.
2. Attach assembled cabinet to wall w/ 3" wood screws.
3. Attach back-splash to wall w/ construction adhesive.

*Cabinets are marked for ease of assembly. Matching up "like markings" will also match up the bolt holes.*

*Duplex or quad electrical outlets are provided. Licensed electrician should power supply and connect to these receptacles per local codes.*


*At installation, seams and joints in the proximity of shampoo bowls and water should be sealed with clear silicone caulking to prevent water damage.*

### Finish Schedule - 878-72-1

Face Color -  
 Top Color -  
 Toe Color - Black  
 Pulls - Chrome Wire Pulls  
 Interior - WHITE MELAMINE  
 Other (Specify) - N/A

### General Notes:

1. All counter tops are to be made removable wherever possible.
2. Items must be broken into manageable sections For Shipping. Mark For Ease Of Reassembly.
3. Install Shipping Cleats Wherever Possible To Prevent Shipping Damage.
4. Purchased items Must Be Trial Fit Before Shipping.

 Collins Manufacturing 2000 Bowser Rd. Cookeville TN 38506		Title: 878-72 Barber Unit	
		Size:	#:
Date:			S