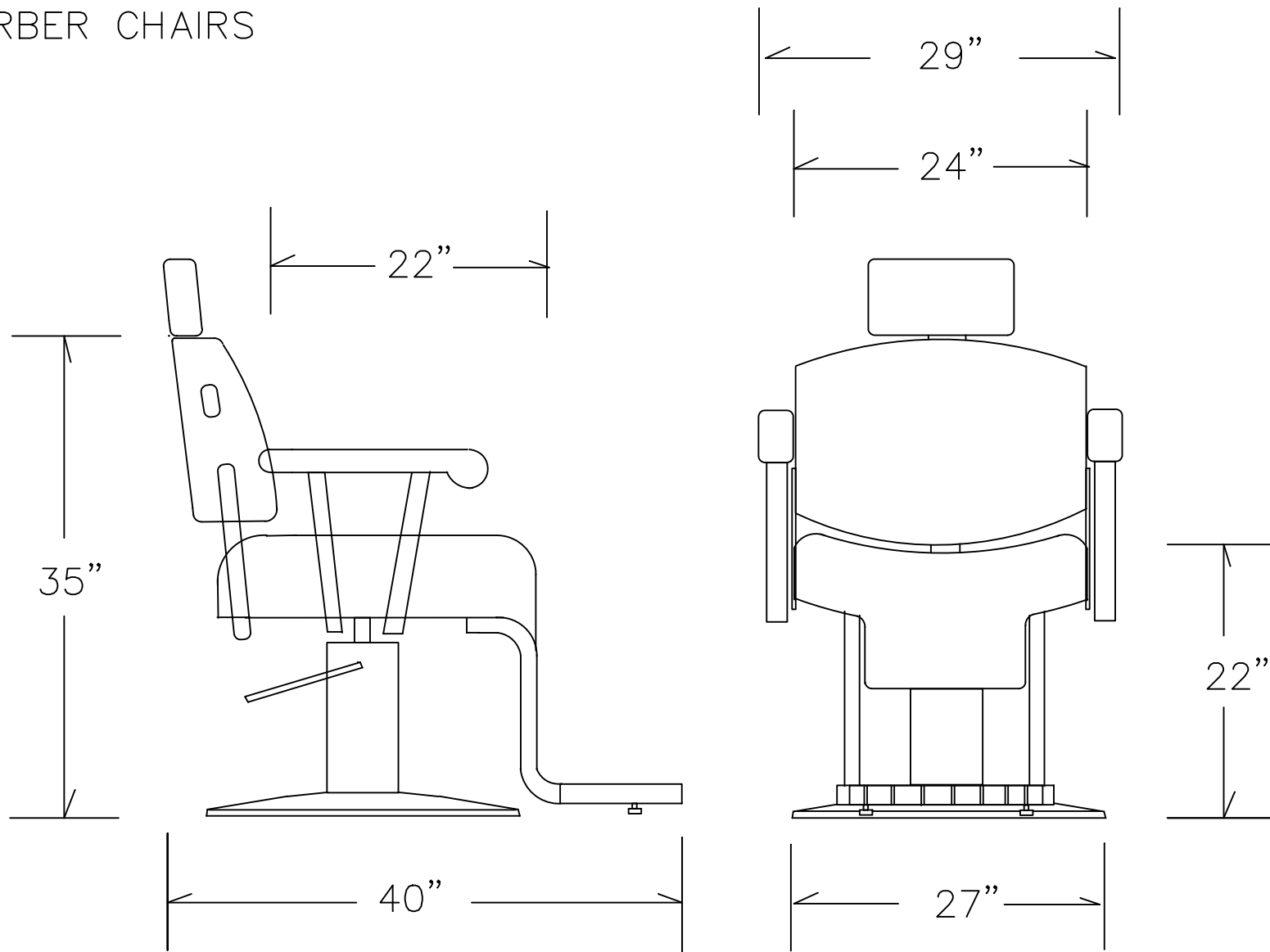


9000 & 9010 & 9020
CONTINENTAL
BARBER CHAIRS



No Assembly Required ... the Continental is fully assembly by Collins