

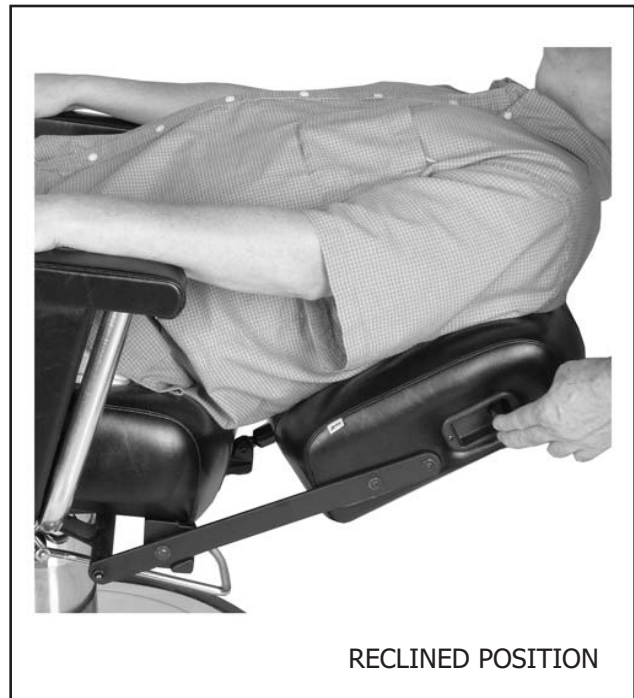
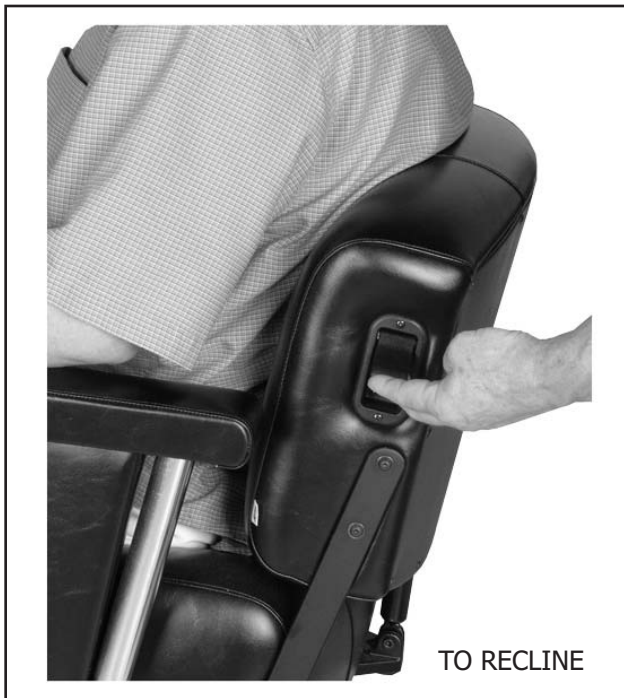
OPERATING Collins BARBER CHAIR for SHAMPOO or SHAVE

How to Lower & Raise the Chair's Reclining Back



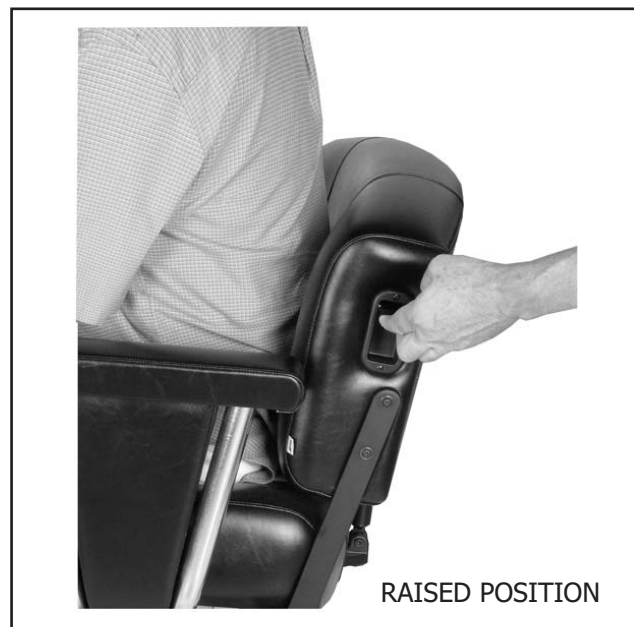
It operates like an AIRLINE seat

800-292-6450



1. Lift the finger-control with two fingers to initiate the recline. Client's weight will make the chair's back-cushion recline. For heavier customers, use spare hand to slow or control the back's recline.

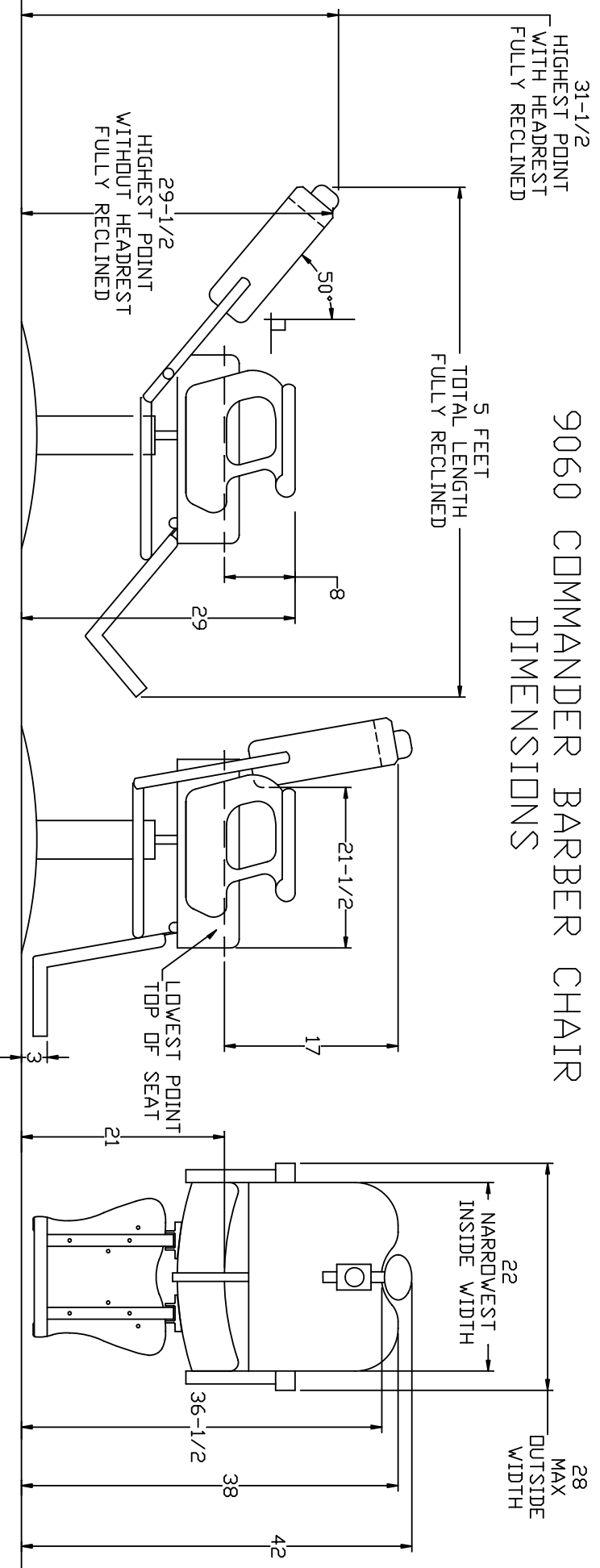
2. Once reclined to desired shampoo angle, you simply release the finger-control. This will lock & hold the chair's back in position for desired service.



3. Instruct client to please UPRIGHT HIMSELF & remain upright so you can return the back-cushion to the original upright position. Then, lift the finger-control with two fingers --- back cushion will raise itself to upright position. Chair will not lift the client ... and neither should stylist try to lift the client.

4. Once chair's back has raised itself to the upright position, instruct the client to lean back & relax for your haircut.
5. Upon completion of haircut, push foot-treadle all the way down to LOWER CHAIR TO LOWEST POSITION. Then instruct client to safely exit the chair.

9060 COMMANDER BARBER CHAIR DIMENSIONS



This image is the property of Collins Manufacturing Company and is protected under copyright law.