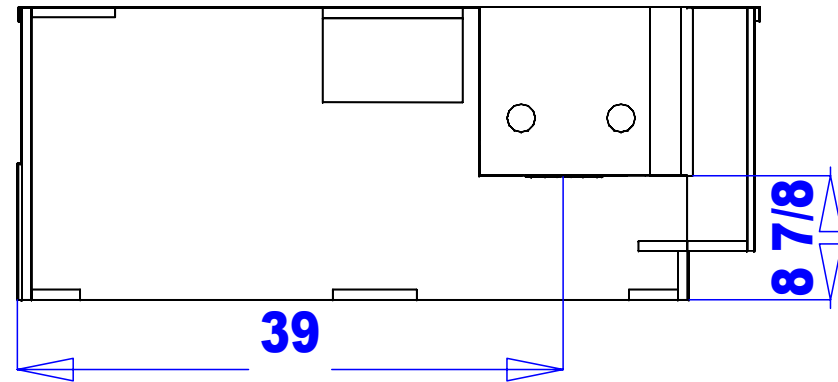
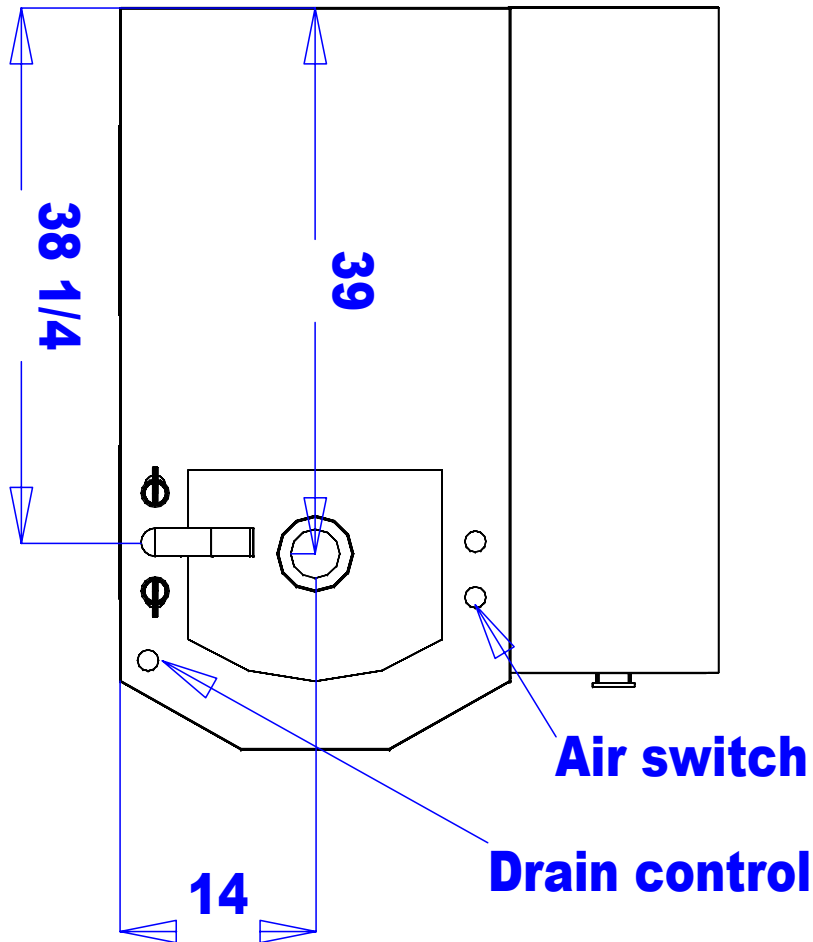


**The water supply require 1/2" lines.
The drain line is 1 1/2".**

**Motor requires a 120 volt outlet
capable of handling 10 amps.
The cord for the motor is 5' long.**



Finish Schedule

Face Color -
Top Color -
Toe Color -
Pulls -
Interior -
Other (Specify) -

General Notes:

1. All counter tops are to be made removable wherever possible.
2. Items must be broken into managable sections For Shipping. Mark For Ease Of Reassembly.
3. Install Shipping Cleats Wherever Possible To Prevent Shipping Damage.
4. Purchased items Must Be Trial Fit Before Shipping.

collins

Collins Manufacturing
809 E 20th Street
Cookeville TN 38501

Title: **Pedicure plumbing plans**

Size:

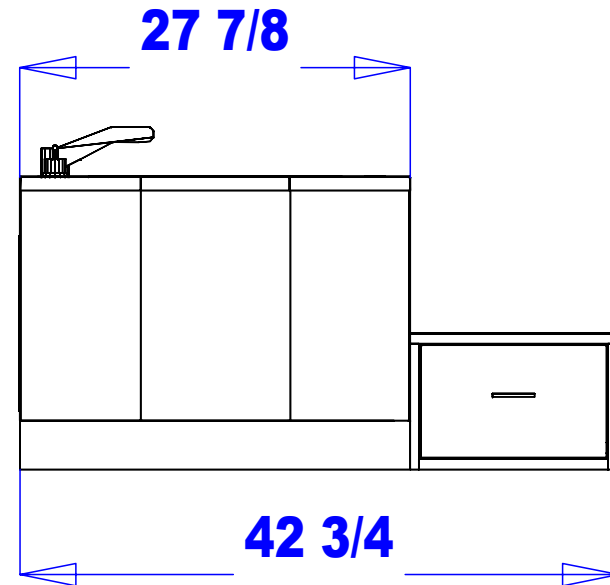
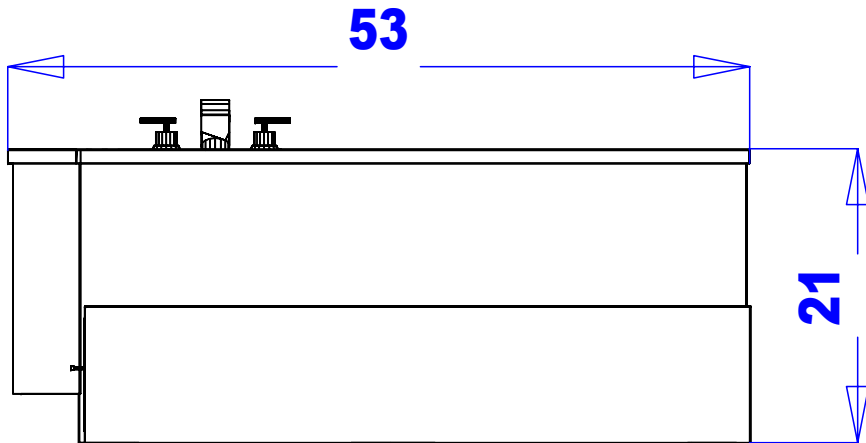
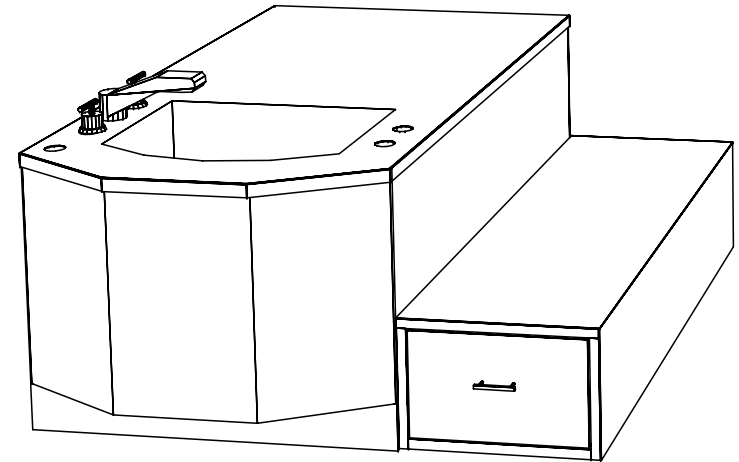
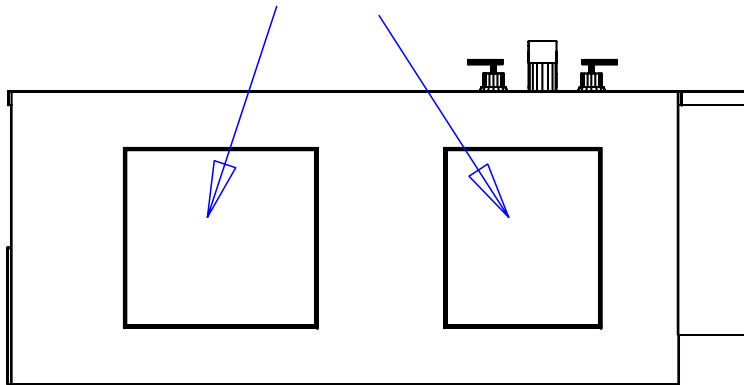
#: **910-43-1**

Drawn By:
Steve

Date:

Sheet #: **4**

Access Doors



Finish Schedule

Face Color -
 Top Color -
 Toe Color -
 Pulls -
 Interior -
 Other (Specify) -

General Notes:

1. All counter tops are to be made removable wherever possible.
2. Items must be broken into manageable sections For Shipping. Mark For Ease Of Reassembly.
3. Install Shipping Cleats Wherever Possible To Prevent Shipping Damage.
4. Purchased items Must Be Trial Fit Before Shipping.

collins

Collins Manufacturing
 809 E 20th Street
 Cookeville TN 38501

Title: **Pedicure plumbing plans**

Size: # **910-43-1**

Drawn By:
Steve

Date:

Sheet #: