

Hardware List

- (1) Faucet
- (1) Pump & Motor Assembly
- (1) Foot Rest & Bracket
- (1) Cable Operated Drain assembly
- (1) Pre-Plumbed S/S Sink/Deck Unit
- (1) Perforated S/S Foot Plate
- (1) 10' Roll 1/8" Clear Tubing
- (1) Plywood Pump Stand

Finish Schedule

Face Color -
 Top Color -
 Toe Color -
 Pulls -
 Interior -
 Other (Specify) -

collins

Collins Manufacturing
 809 E 20th Street
 Cookeville TN 38501

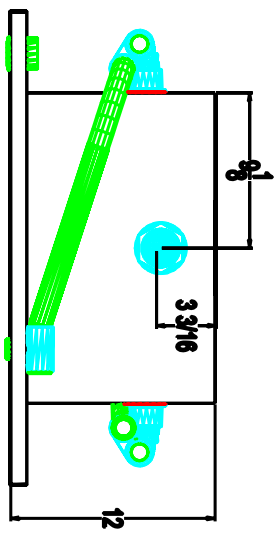
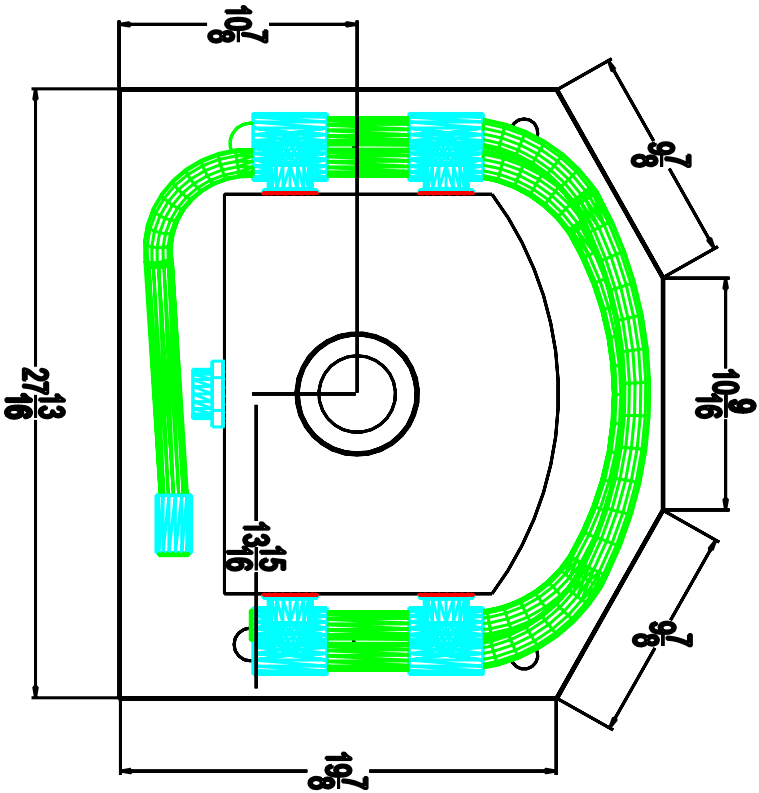
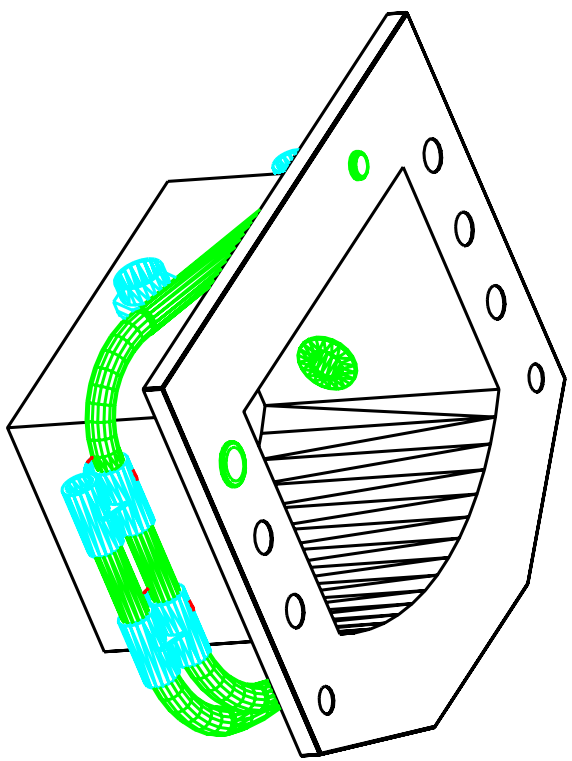
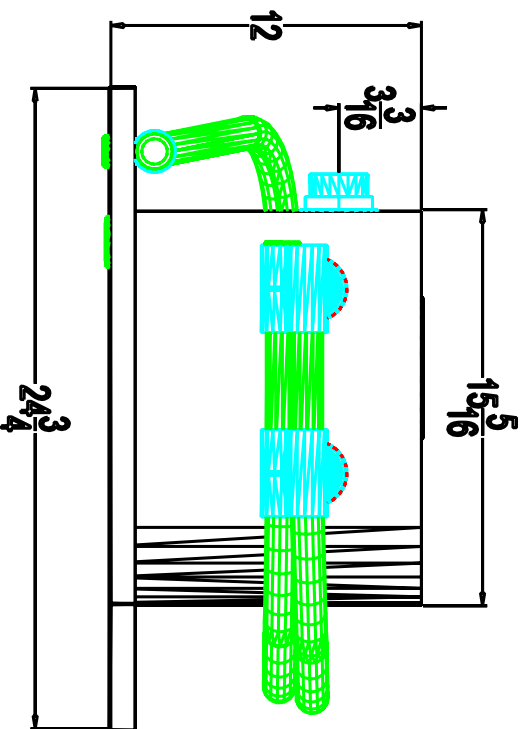
Title: **Build Your Own Pedicure**

Size: # **912-BYO**

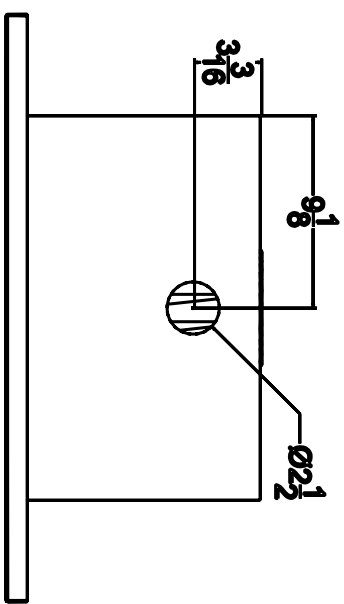
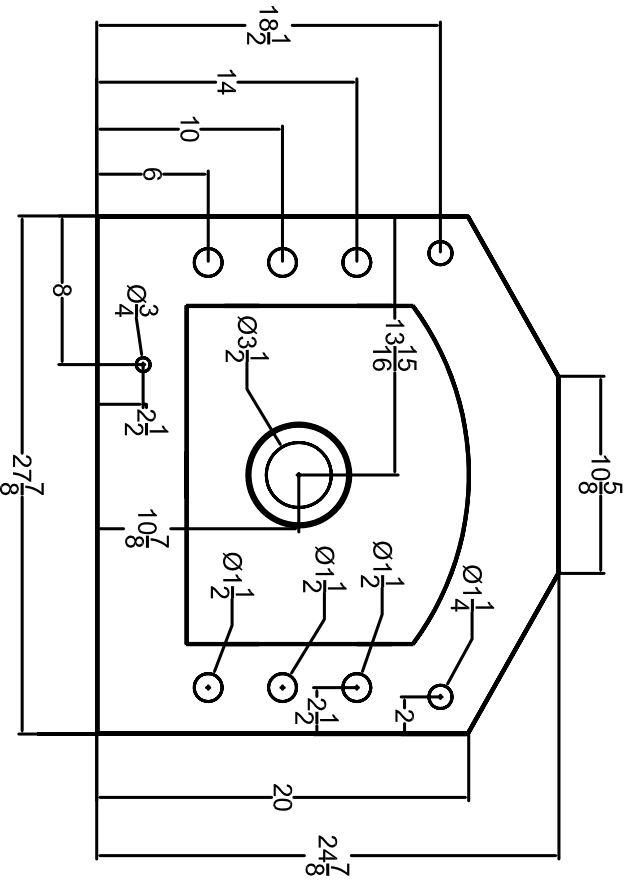
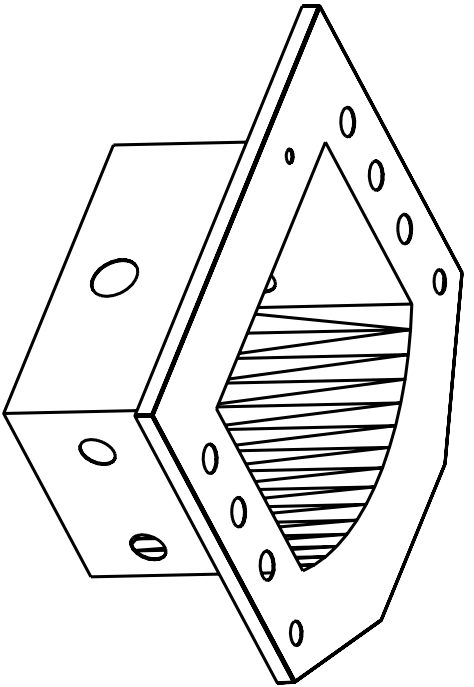
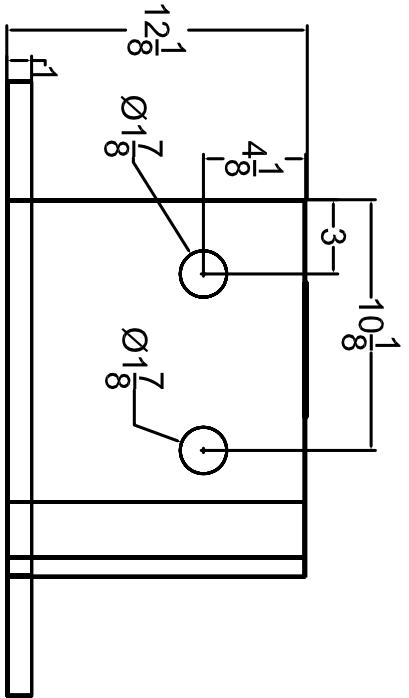
Drawn By:
Mike

Date: **02/18/03**

Sheet #: **1**



Collins Manufacturing Company 809 E 20th Street, PO Box 2279 Cookeville TN 38502-2279	
Title:	Pedicure top
Size:	#
Date:	9/24/2002
Drawn By:	Steve
Sheet #	1 of 1



The hole spacing and sizes are the same on both sides.

Collins Manufacturing Company 809 E 20th Street, PO Box 2279 Cookeville TN 38502-2279	
Title:	Pedicure top
Size:	#
Drawn By:	Steve
Date:	9/24/2002
Sheet #	1 of 1