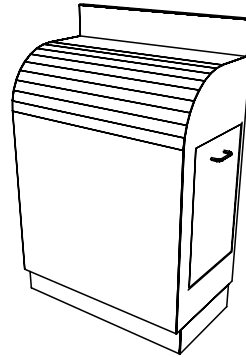
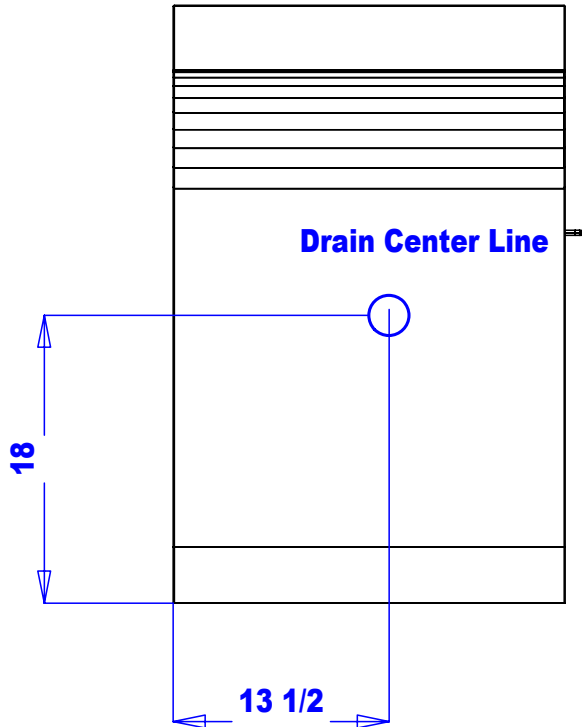


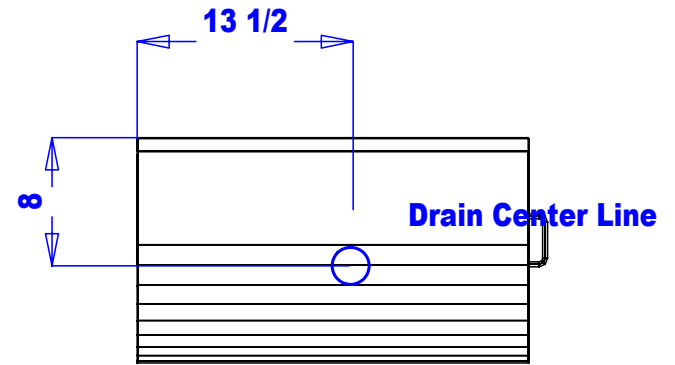
924-24 PLUMBING SPECIFICATIONS



WALL STUB-OUT



FLOOR STUB-OUT



Quantity -

Finish Schedule

- Face Color -
- Top Color -
- Toe Color -
- Pulls -
- Interior -
- Other (Specify) -

Installation Notes:

1. All hardware needed for assembly is included.
2. Large items are preassembled at the factory to ensure proper alignment. Items are then disassembled into manageable sections for shipping purposes and ease of reassembly.
3. Shipping cleats need to be removed before installation. These cleats are installed to prevent damage.



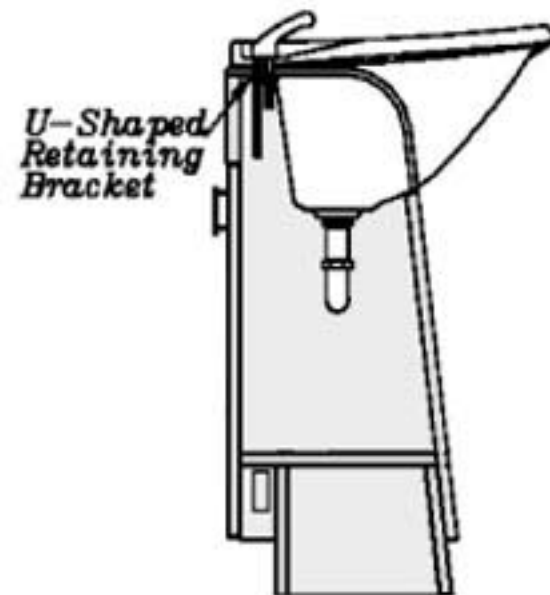
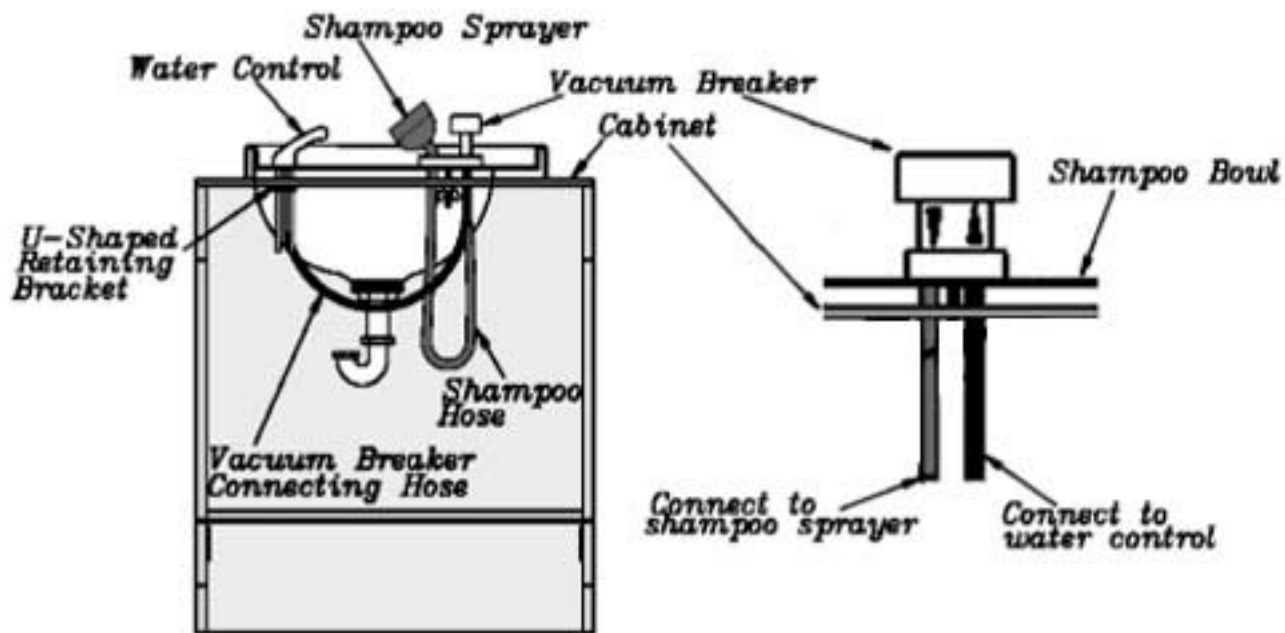
Collins Manufacturing
809 E 20th Street
Cookeville TN 38501

Title: **QSE Dual-Purpose Shampoo Station**

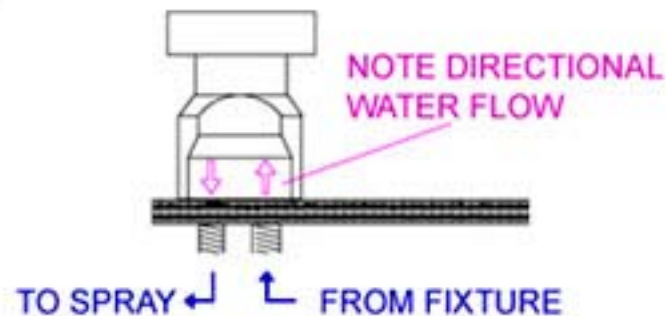
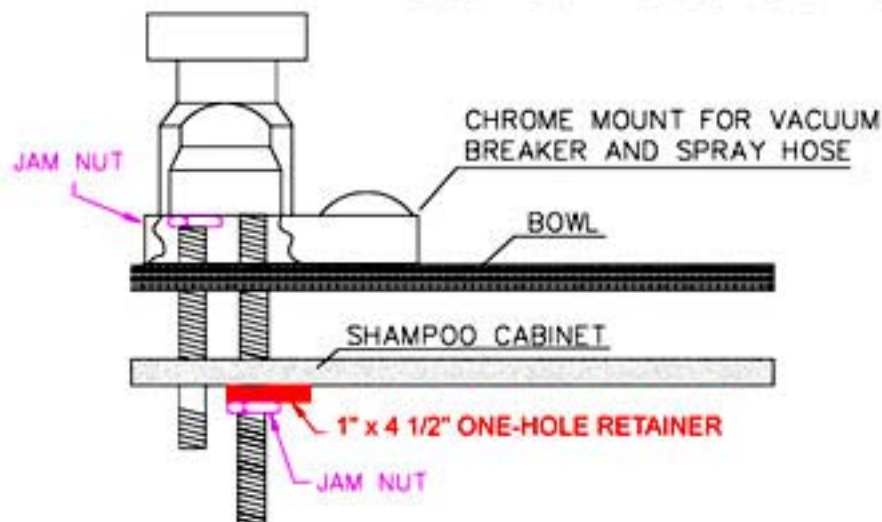
Size: # **924-24** Drawn By:


Date: **04/17/03** Sheet #: **2**

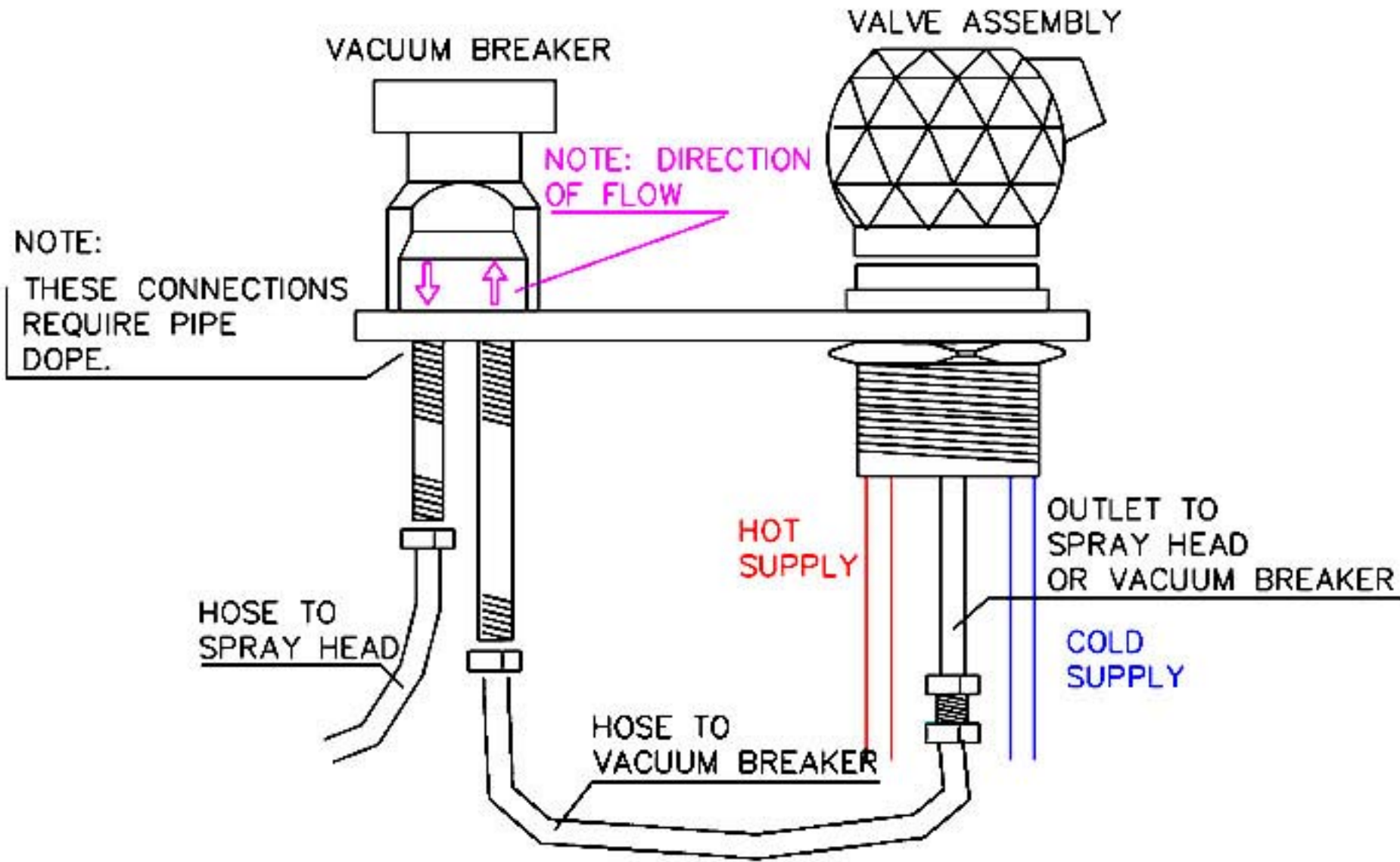
Cabinet Installation Instructions for CB24 Acrylic Shampoo Bowl



Detailed Retention & Directional Flow



 Collins Manufacturing 2000 Bowser Rd. Cookeville TN 38506	
CB23 Installation Instructions	
File:	
Date:	2006



 Collins Manufacturing 2000 Bowser Rd. Cookeville TN 38506	
CB23 & CB24 FIXTURES	
Title:	DETAILED
Date:	2006