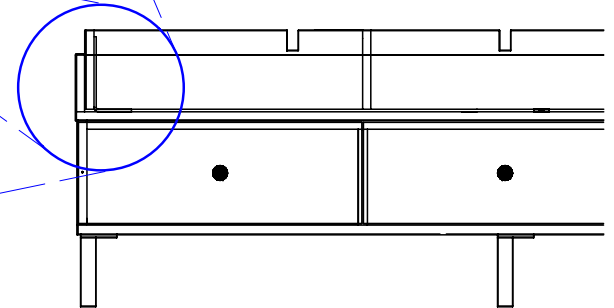
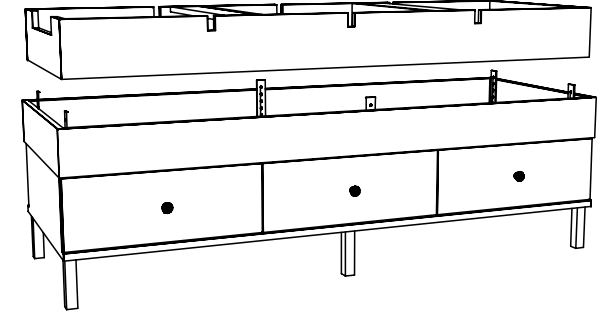
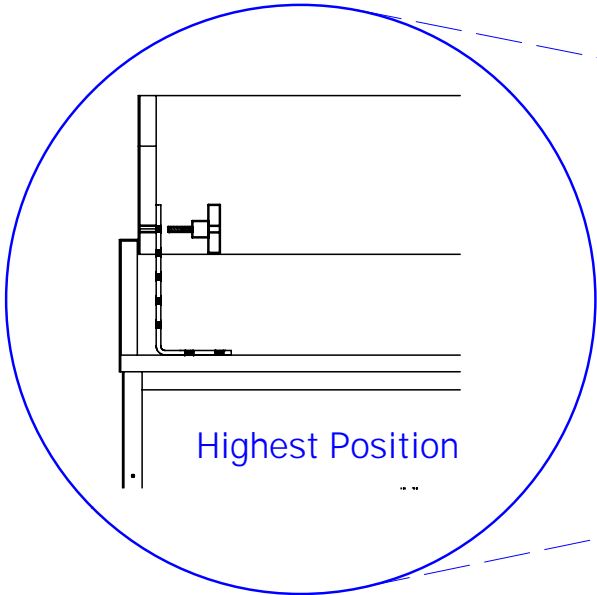
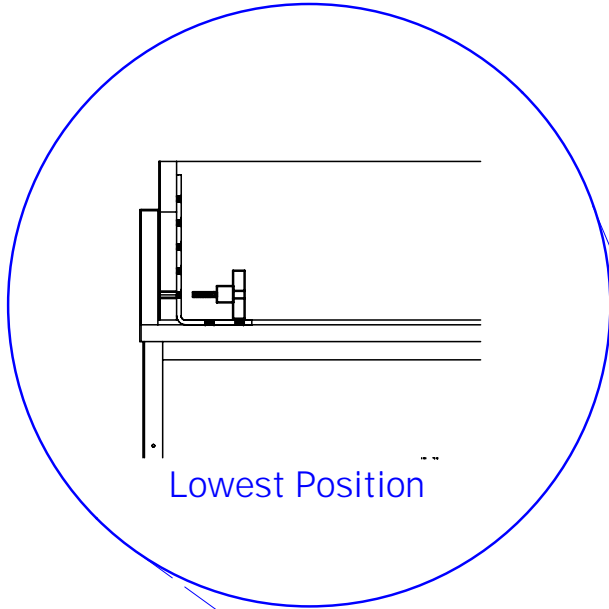


To adjust cushion height

Two people are required.

1. Lift off cushion assembly and set aside.
2. Remove all six knobs.
3. Raise center section to desired height and replace knobs. Note: Each hole equals one inch.



Quantity -

Finish Schedule - 975-75-1

Face Color -
 Top Color -
 Toe Color -
 Reveal / Accent Color -
 Hardware -
 Interior - White
 Other (Specify) -

General Notes:

1. All counter tops are to be made removable wherever possible.
2. Items must be broken into manageable sections For Shipping. Mark For Ease Of Reassembly.
3. Install Shipping Cleats Wherever Possible To Prevent Shipping Damage.
4. Purchased items Must Be Trial Fit Before Shipping.

Collins Collins Manufacturing
 2000 Bowser Road
 Cookeville, TN 38506

Title:		
Size: NTS	Drawing Number: Job	Drawn By:
Date: 10/11/07	Sheet	8 of 8